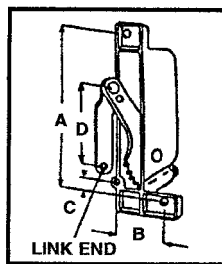
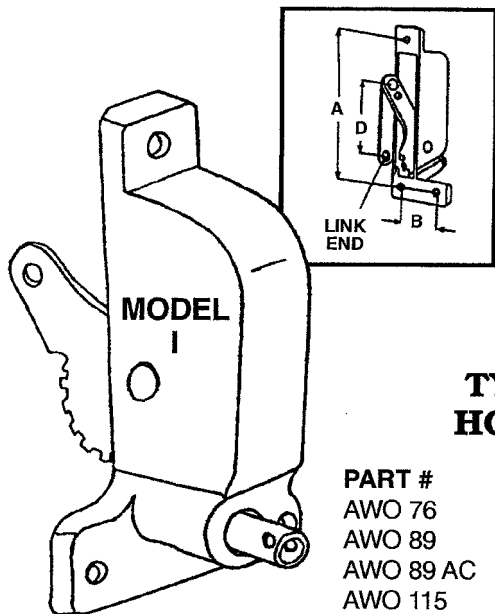


OVER-SILL OPERATORS

TYPE II HOUSING

PART #	MODEL	A	B	C	D	LINK	LINK END
AWO 98	I	5 1/4	1 3/8	N/A	2 1/4	OS	8-32 BUS
AWO 114M	I	5 1/4	1 5/8	N/A			

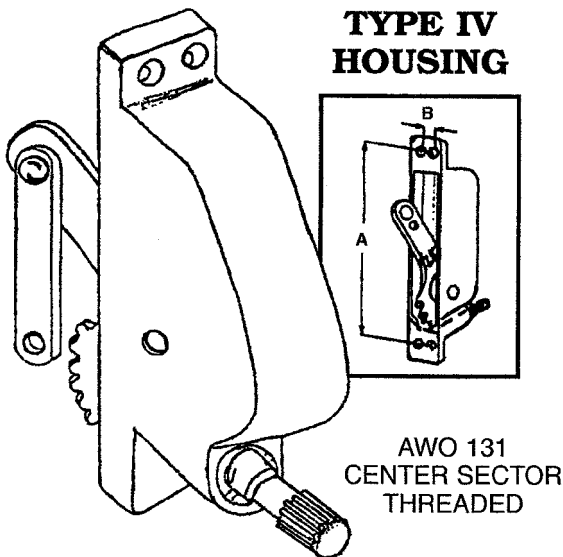


**#1
IN
SERVICE**

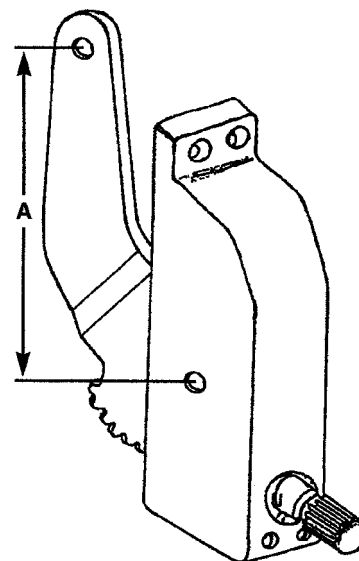
TYPE III HOUSING

PART #	MFR	MODEL	A	B	C	D	LINK	LINK END
AWO 76	MIAMI	I	5 1/8	1 1/2	3/8	2 3/16	OS	5/16-18
AWO 89	SUPERIOR	I	5 1/8	1 7/16	3/8	2 1/4	S	5/16-18
AWO 89 AC	SUPERIOR	A	5 1/8	1 7/16	3/8	2 1/4	OS	5/16-18
AWO 115	CROWN	I	5 1/16	1 7/16	1/2	2 1/4	S	3/8 HOLE
AWO 120	TRUSCON 600	I	5 1/8	1 3/8	1/2	2 3/8	OS	1/4-20 H
AWO 139	HARCAR	I	5 1/16	1 7/16	1/2	2 1/2	OS	5/16-18

TYPE IV HOUSING

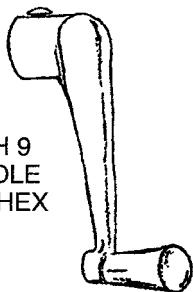


AWO 131
CENTER SECTOR
THREADED

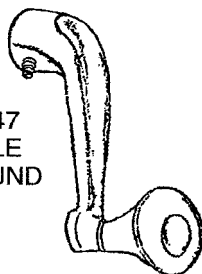


PART #	MFR	A
AWO 90	AUTOLOK	6 1/4"
AWO 133	AUTOLOK	4 3/4"

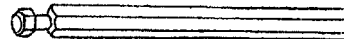
WOH 9
HANDLE
5/16" HEX



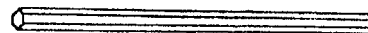
WOH 47
HANDLE
3/8" ROUND



WOH 32
5/16" HEX
6"



WOH 33
5/16" HEX
6"



USE WITH MODELS I, P & W

1A22
SECTION A
REV. 2/03



REPLACEMENT HARDWARE Mfg., Inc.

500 West 84th Street ♦ Hialeah ♦ Florida 33014 ♦ USA
305-558-5051 ♦ Fax: 305-557-5239 ♦ Toll Free: 1-800-780-5051
www.rhmf.com ♦ www.replacement-hardware.com

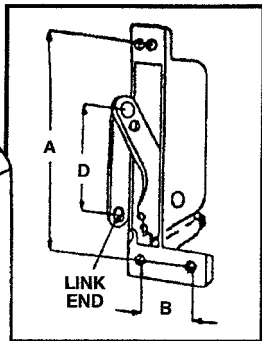
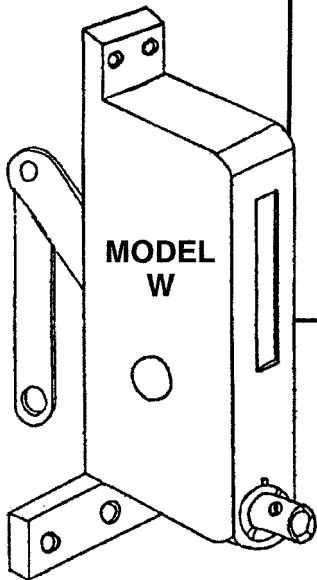
**#1
IN
SERVICE**

OVER-SILL OPERATORS

OVER-SILL OPERATORS

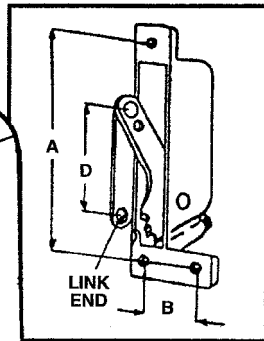
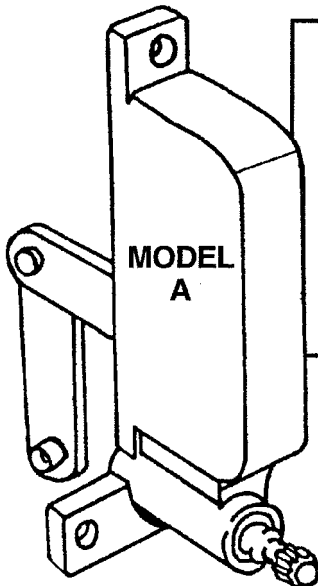
OVER-SILL OPERATORS
ARE USED IN
CLERESTORY DESIGN

NORMALLY OPERATED BY CHAIN
WHEEL OR UNIVERSAL JOINT

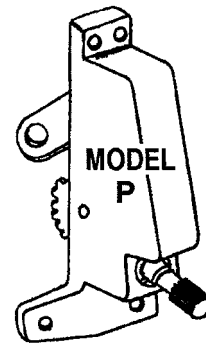


TYPE I HOUSING

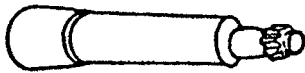
PART #	MFR	MODEL	A	B	C	D	LINK	LINK END
AWO 87	WARE	W	5 1/4	7/8	N/A	2 5/8	S	3/8 HOLE
AWO 96	WALLACE	W	5 1/4	7/8	N/A	2 5/16	S	10/24 BUS
AWO 114	YALE OGRON	I	5 1/4	7/8	N/A	2 3/16	S	3/8 HOLE
AWO 153	NU AIRE	A	5 1/4	1 1/8	N/A	2 3/16	S	1/4-20 TAP
AWO 164	PAN AM	A	5 1/4	15/16	N/A	2 5/8	S	5/16-18 TAP



TYPE II HOUSING

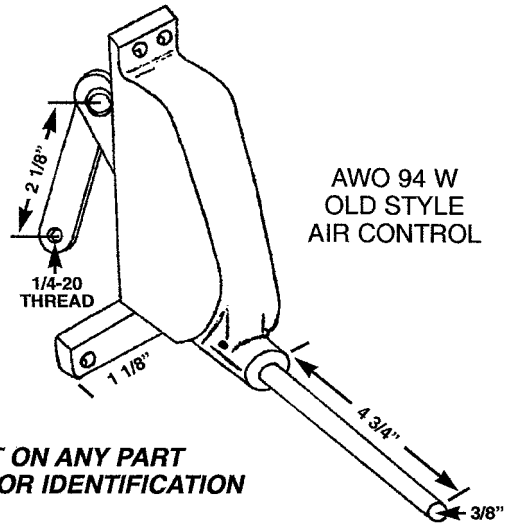


PART #	MFR	MODEL	A	B	C	D	LINK	LINK END
AWO 82	AIR CONTROL	A	5 3/16	1 1/8	N/A	2 1/2	S	1/4-20 TAP
AWO 103	WARE	P	5 1/4	1 1/4	N/A	2 1/8	OS	3/8 HOLE
AWO 121	AIRELOK	A	5 1/4	1 3/8	N/A	2 5/16	S	10/32 BUSH
AWO 156	NU AIRE	A	5 1/8	15/16	N/A	2 11/16	S	3/8 HOLE
AWO 160	LAWSON	A	5 1/4	1 3/8	N/A	2 1/4	OS	3/8 HOLE

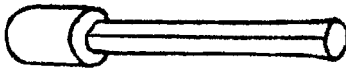


WPA 55
3/8" SPLINE
FEMALE/MALE
USE WITH MODEL A

WE'RE
#1
IN
SERVICE



AWO 94 W
OLD STYLE
AIR CONTROL



WPA 44
5/16" SPLINE
5/16" HEX

WPA 59
3/8" SPLINE
5/16" HEX

IF IN DOUBT ON ANY PART
SEND SAMPLE FOR IDENTIFICATION

#1
IN
SERVICE



REPLACEMENT HARDWARE Mfg., Inc.

500 West 84th Street ♦ Hialeah ♦ Florida 33014 ♦ USA
305-558-5051 ♦ Fax: 305-557-5239 ♦ Toll Free: 1-800-780-5051
www.rhmfg.com ♦ www.replacement-hardware.com

1A23
SECTION A
REV. 2/03

OVER-SILL OPERATORS