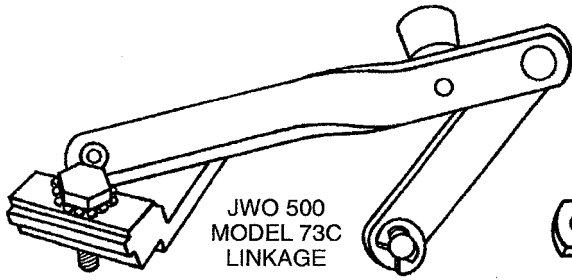
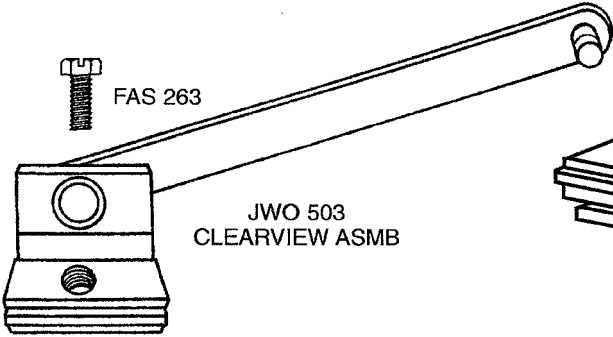
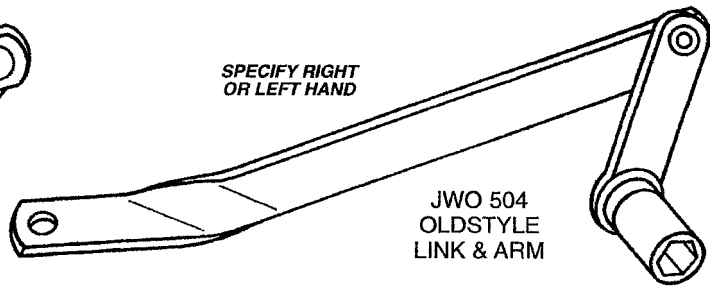


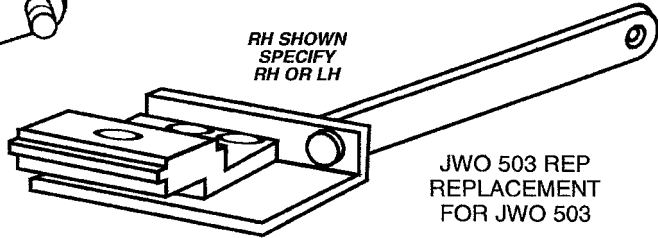
**SOL-A-TROL & CLEARVIEW PARTS**



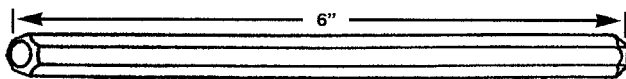
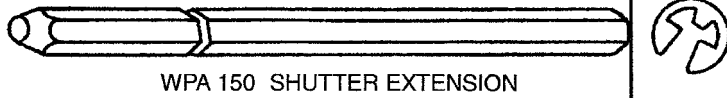
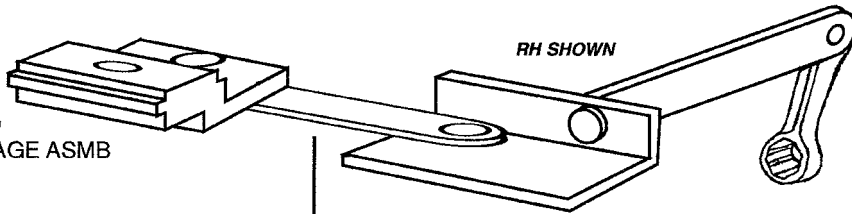
SPECIFY RIGHT  
OR LEFT HAND



RH SHOWN  
SPECIFY  
RH OR LH

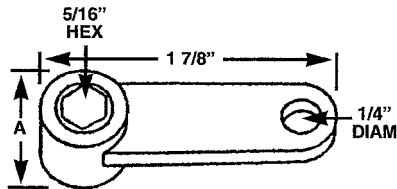
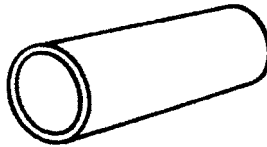


JWO 509  
SOL-A-TROL LINKAGE ASMB

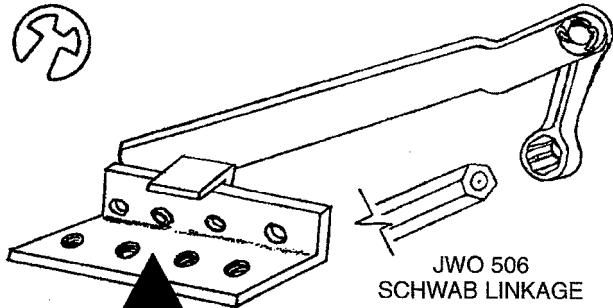


5/16"  
HEX

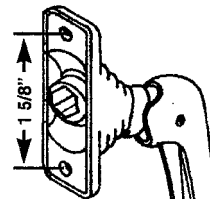
SPACER  
WPA 101 LONG 1 1/8"  
WPA 102 SHORT 31/32"



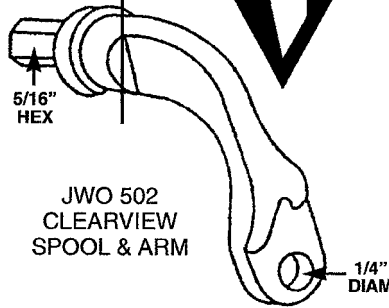
JWO 501 CLEARVIEW ARM  
PART # A  
JWO 501 5/32"  
JWO 513 5/32" COUNTERSUNK  
JWO 511 1/2"



REPLACES:  
SCHWAB  
SECURITY  
SOL-A-TROL  
SUPERIOR



WOH 8  
CLEARVIEW  
HANDLE  
WOH 39  
W/POLE EYE



SOL-A-TROL & CLEARVIEW PARTS

**#1  
IN  
SERVICE**



**REPLACEMENT HARDWARE Mfg. Inc.**

500 West 84th Street ♦ Hialeah ♦ Florida 33014 ♦ USA  
305-558-5051 ♦ Fax: 305-557-5239 ♦ Toll Free: 1-800-780-5051  
www.rhmf.com ♦ www.replacement-hardware.com

1A7  
**SECTION A**  
REV. 2/02