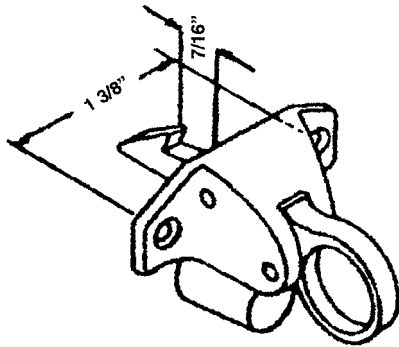
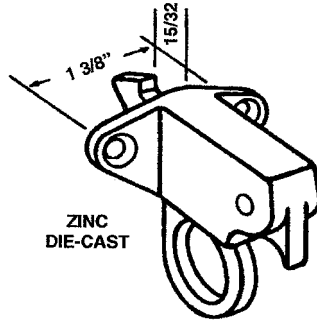


SPRING LATCHES

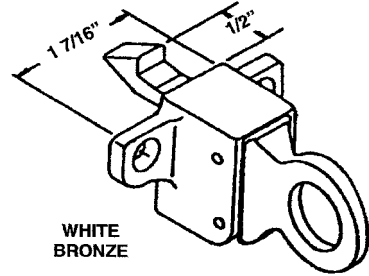


CWL 99



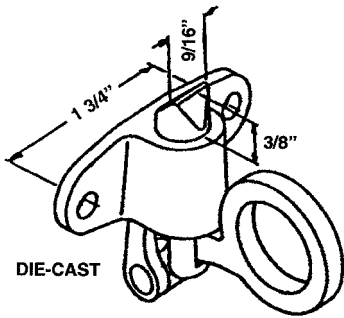
ZINC
DIE-CAST

CWL 101



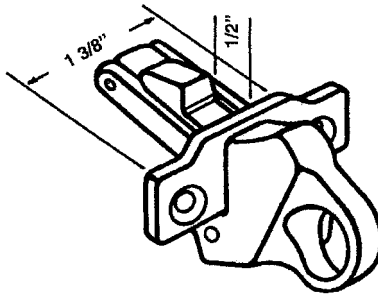
WHITE
BRONZE

CWL 111

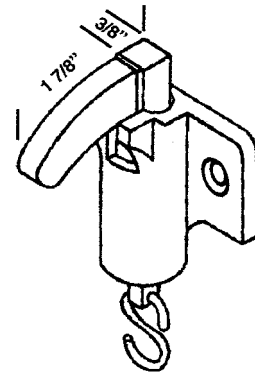


DIE-CAST

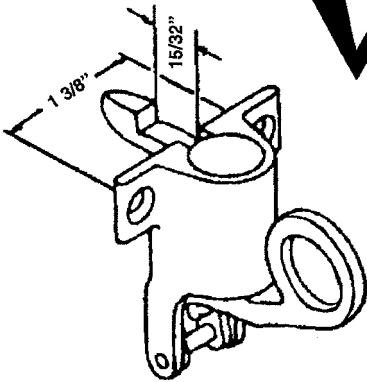
CWL 102
FENESTRA



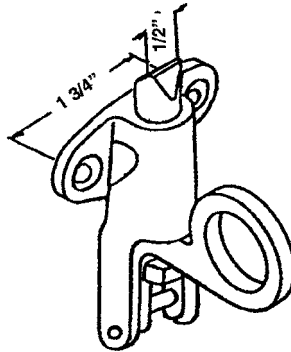
CWL 110



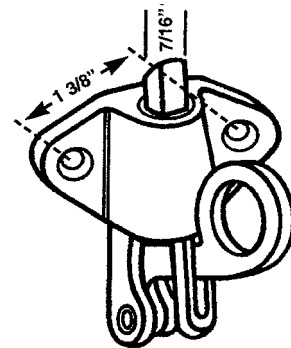
CWL 100
ONE MOUNTING HOLE



CWL 103



CWL 105



CWL 109

IF IN DOUBT ON ANY PART -- SEND SAMPLE FOR IDENTIFICATION.
WE ARE CONSTANTLY ADDING ADDITIONAL ITEMS TO SERVE YOU BETTER.



REPLACEMENT HARDWARE Mfg. Inc.

500 West 84th Street ♦ Hialeah ♦ Florida 33014 ♦ USA
305-558-5051 ♦ Fax: 305-557-5239 ♦ Toll Free: 1-800-780-5051
e-mail: info@rhmf.com ♦ website: www.rhmf.com

4B3
SECTION B
NEW 11/99

SPRING LATCHES