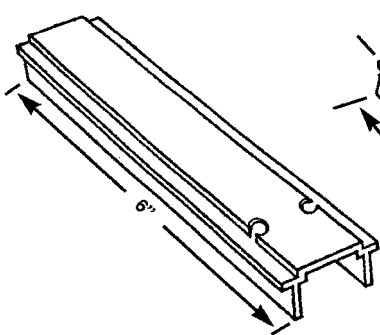
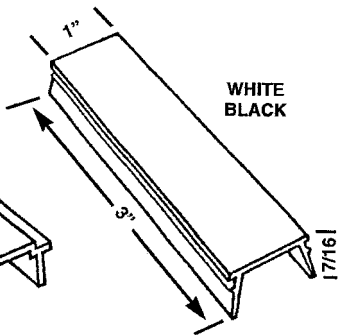


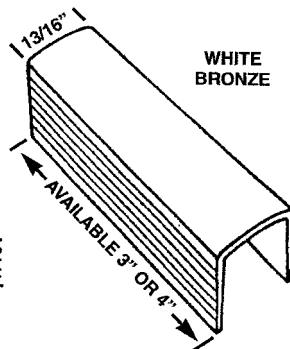
BALANCE STOPS



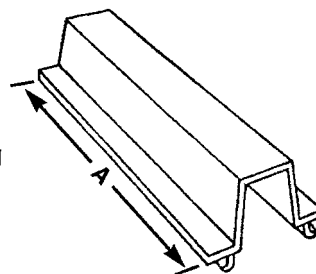
HWP 459
6" STOP



HWP 496
C.E.
7/16" STOP

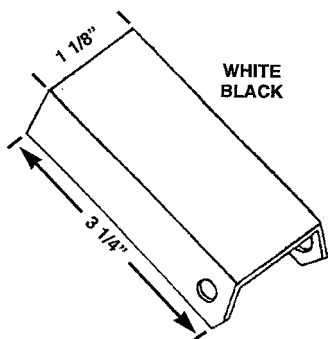


HWP 497
13/16" STOP
C.E. (3/8" BALANCE)

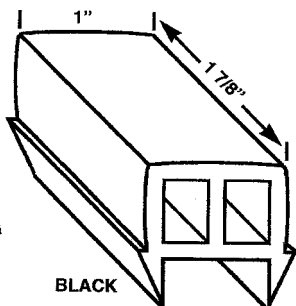


HWP 380 STOP 3"
HWP 381 STOP 5"

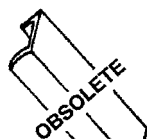
A



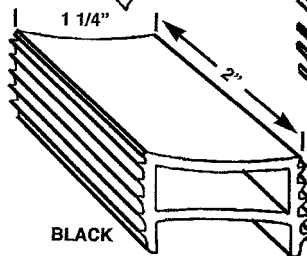
HWP 311
YALE OGRON
SASH STOP



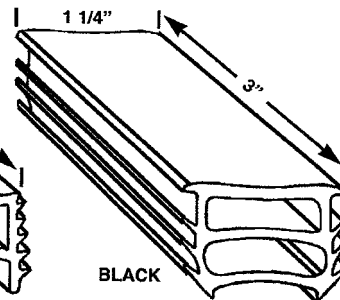
HWP 699
SASH STOP



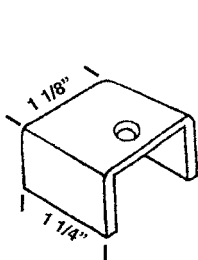
OBSOLETE



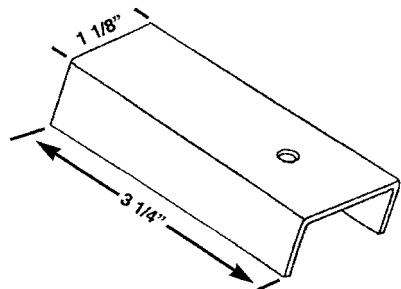
HWP 161
NUAIRE
STOP NEW



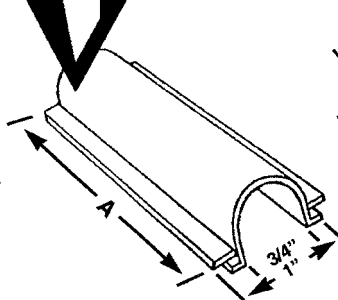
HWP 883
ACORN
SASH STOP
C35007



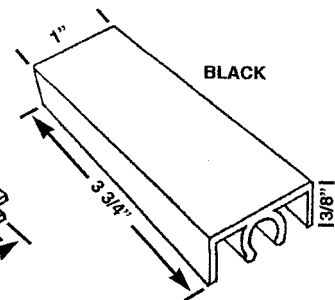
HWP 351
SASH STOP



HWP 376
SASH STOP



HWP 378 STOP 3"
HWP 379 STOP 5"



HWP 436
KELLER

IF IN DOUBT ON ANY PART -- SEND SAMPLE FOR IDENTIFICATION.
WE ARE CONSTANTLY ADDING ADDITIONAL ITEMS TO SERVE YOU BETTER.

BALANCE STOPS

**#1
IN
SERVICE**



REPLACEMENT HARDWARE Mfg. Inc.

500 West 84th Street ♦ Hialeah ♦ Florida 33014 ♦ USA
305-558-5051 ♦ Fax: 305-557-5239 ♦ Toll Free: 1-800-780-5051
www.rhmfg.com ♦ www.replacement-hardware.com

2B15
SECTION B
REV. 11/02