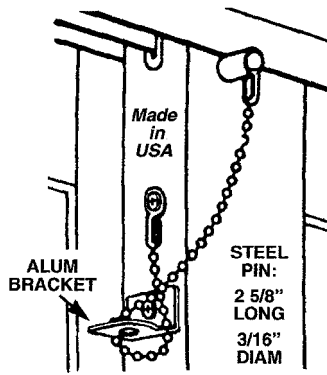


SECURITY ITEMS



**PDS 1
SILVER KNIGHT
BURGLAR PIN**



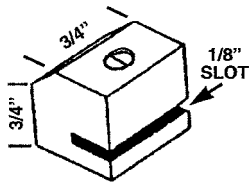
**ULTRA GUARD
SLIDING PATIO DOOR LOCKS**

**PDS 29
SECURITY BAR**

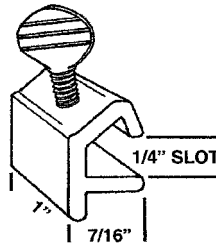
ALUM BRONZE

**PDS 29R
REPAIR
SET FOR
PDS 29**

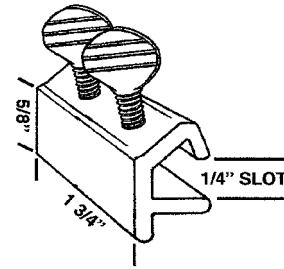
Makes all sliding glass doors jimmy-proof.
Unequaled protection. Fits 36"- 48" doors. Swings 90° and folds out-of-way when not in use. Self-storing bar lock fits all type doors.



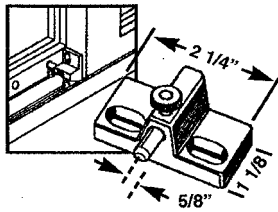
**PDS 53
SLOTTED
SET SCREW
FOR SECURITY**



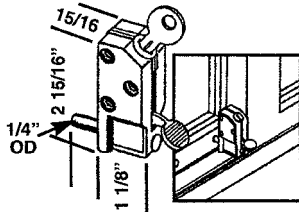
**PDS 9
PATIO DOOR OR
SLIDING WINDOW
SECURITY LOCK**



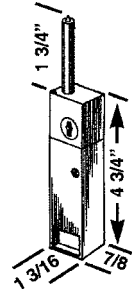
**PDS 52
SECURITY LOCK
W/DOUBLE
THUMBSCREW**



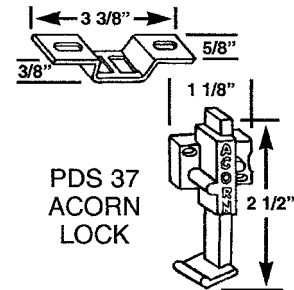
**PDS 4
MITEY LOCK**



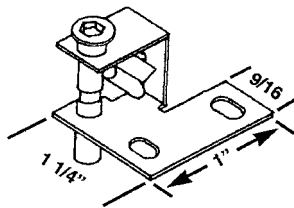
**PDS 27
KEYED
SECURITY
FOOT LOCK**



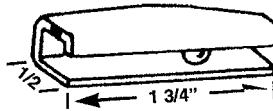
**PDS 28
SECURITY
LOCK**



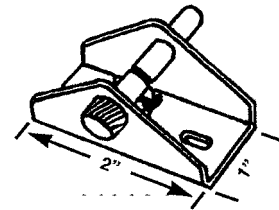
**PDS 37
ACORN
LOCK**



**PDS 26
PUSH-BOLT SECURITY LOCK**
Installs on Vertical or Horizontal



**PDS 30
SNAP-ON VENT LOCK**
Permanent Stop Position



**PDS 25
PUSH-PULL SECURITY LOCK**
Positive 2-Position, Prevents Lock Out

IF IN DOUBT ON ANY PART -- SEND SAMPLE FOR IDENTIFICATION

SECURITY ITEMS

**#1
IN
SERVICE**



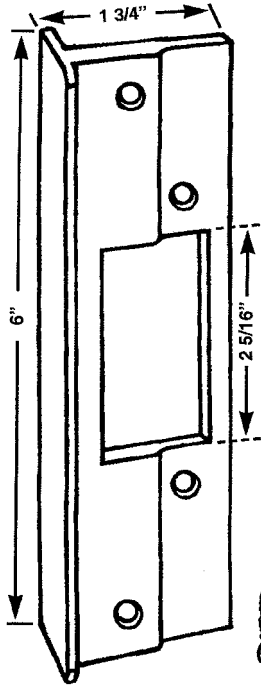
REPLACEMENT HARDWARE Mfg., Inc.

500 West 84th Street ♦ Hialeah ♦ Florida 33014 ♦ USA
305-558-5051 ♦ Fax: 305-557-5239 ♦ Toll Free: 1-800-780-5051
www.rhmfg.com ♦ www.replacement-hardware.com

**9A1
SECTION A**
REV. 3/03

SECURITY ITEMS

SECURITY ITEMS

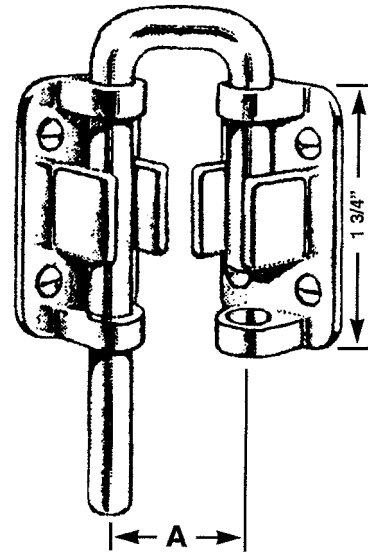


PDS 38
DOOR LATCH
GUARD



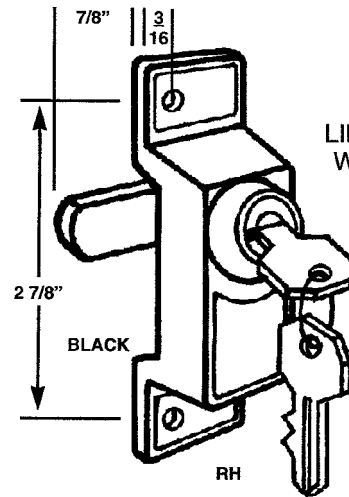
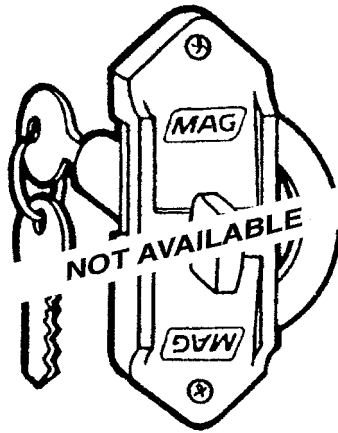
PATIO DOOR
SECURITY LATCH

	A
PDS 49	1/2"
PDS 44	3/4"
PDS 45	1 1/4"
PDS 50	2"

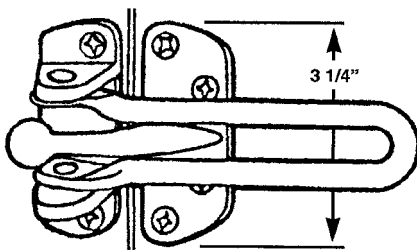


**#1
IN
SERVICE**

PDS 46
PATIO
DOOR
LOCK
SINGLE
CYLINDER

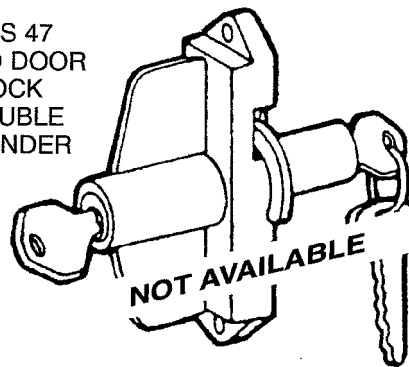


PDS 54
LIMIT STOP
WITH KEY



PDS 51
DOOR GUARD

PDS 47
PATIO DOOR
LOCK
DOUBLE
CYLINDER



IF IN DOUBT ON ANY PART -- SEND SAMPLE FOR IDENTIFICATION.
WE ARE CONSTANTLY ADDING ADDITIONAL ITEMS TO SERVE YOU BETTER.

9A2
SECTION A
REV. 3/03

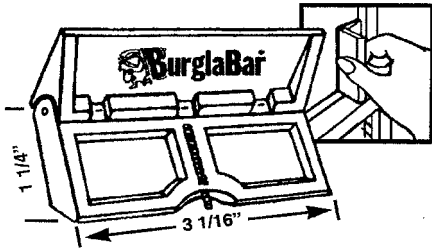


REPLACEMENT HARDWARE Mfg., Inc.

500 West 84th Street ♦ Hialeah ♦ Florida 33014 ♦ USA
305-558-5051 ♦ Fax: 305-557-5239 ♦ Toll Free: 1-800-780-5051
www.rhmfg.com ♦ www.replacement-hardware.com

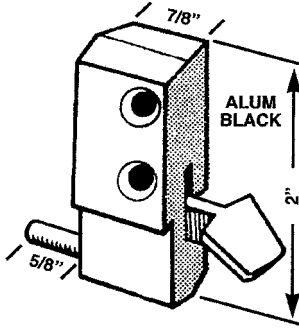
**#1
IN
SERVICE**

SECURITY ITEMS



PDS 22 BURGLAR BAR

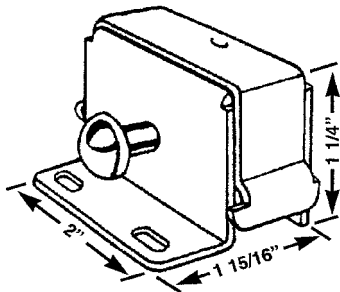
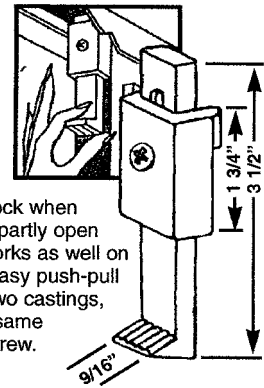
Use on patio doors, sliding windows or hung windows. Installs without tools. Special 3-M adhesive bonds to glass. Lexan hinge pin maintains tight fit.



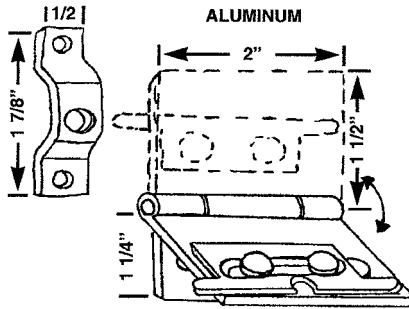
PDS 2 STEP-ON PATIO DOOR LOCK
Foot operated. Easy to Install.

PDS 55 SECURITY VENTILATOR LOCK

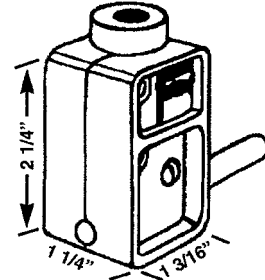
Use as security lock when door is closed or partly open for ventilation. Works as well on slider windows. Easy push-pull operation, uses two castings, spring washer & same assembly door screw.



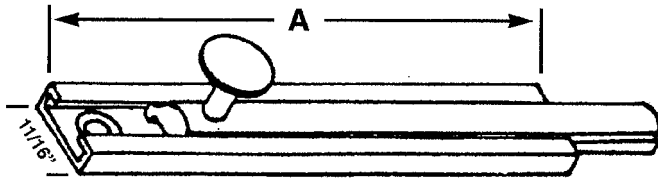
PDS 31 PATIO DOOR SECURITY LOCK
Push bolt in to lock. Step on top to unlock.



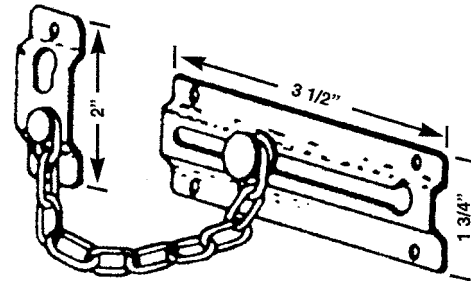
PDS 24 SYD FLIP LOCK



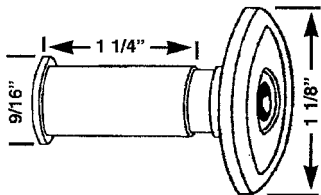
PDS 40 FOOT SECURITY LOCK



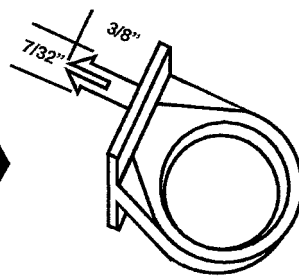
PDS 101 A = 3" **PDS 102 A = 4"** **PDS 103 A = 6"**



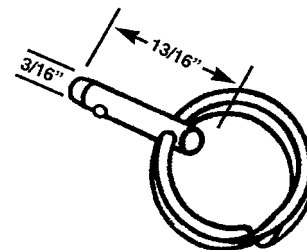
PDS 120 CHAIN GUARD



MDH 213 180 DOOR VIEWER



WPA 161 ATW EGRESS PIN



PDS 42 EGRESS PIN

IF IN DOUBT ON ANY PART -- SEND SAMPLE FOR IDENTIFICATION

SECURITY ITEMS

#1 IN SERVICE

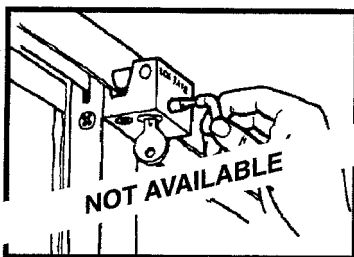


REPLACEMENT HARDWARE Mfg., Inc.

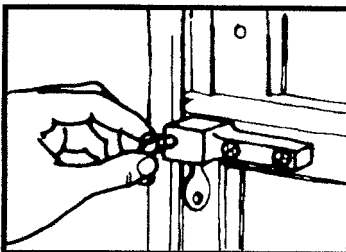
500 West 84th Street ♦ Hialeah ♦ Florida 33014 ♦ USA
305-558-5051 ♦ Fax: 305-557-5239 ♦ Toll Free: 1-800-780-5051
www.rhmfg.com ♦ www.replacement-hardware.com

9A3 SECTION A
REV. 3/03

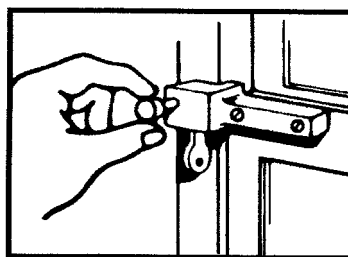
SECURITY ITEMS



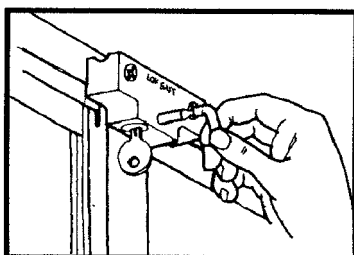
**PDS 11
LOK-SAFE
PATIO DOOR LOCK W/KEY**
Keyed model. Fastens both doors securely to frame. Designed to prevent forced entry.



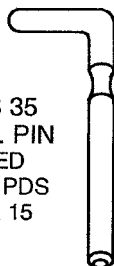
**PDS 12
LOK-SAFE
WINDOW LOCK W/KEY**
For double-hung wood sash windows. Keyed model, bolts securely on, forming a burglar-resistant bond between window and frame.



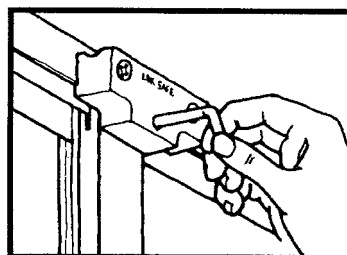
**PDS 13
LOK-SAFE
WINDOW LOCK W/KEY**
For single-hung aluminum windows. Keyed model. Fastens window securely to frame. Designed to prevent forced entry.



**PDS 14
LOK-SAFE
PATIO DOOR LOCK W/KEY**
Keyed model, forms a burglar-resistant bond between door and frame.



**PDS 35
REPL. PIN
USED
WITH PDS
14 & 15**

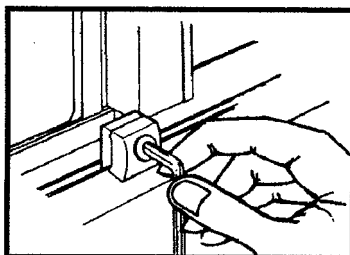


**PDS 15
LOK-SAFE
PATIO DOOR LOCK**
Steel backplate mounts behind frame to hold securely. Designed to prevent forced entry.

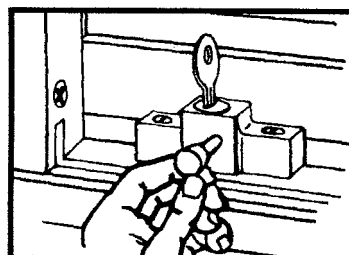
SECURITY ITEMS



**TOL 41
5/32"
HEX KEY
USED
WITH
PDS 16**



**PDS 16
LOK-SAFE
SLIDING WINDOW LOCK**
Packed 2 with Wrench
For vertical and horizontal sliding windows. Fastens securely to frame and thwarts forced entry.



**PDS 17
LOK-SAFE
SLIDING DOOR LOCK
W/KEY**
Keyed model for sliding aluminum doors and windows. Versatile, it can be mounted at top, side or bottom, available K.A.

IF IN DOUBT ON ANY PART -- SEND SAMPLE FOR IDENTIFICATION

9A4
SECTION A
REV. 3/03

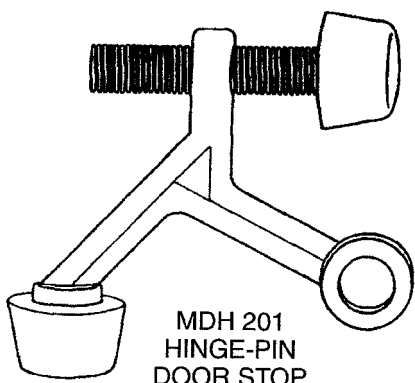


REPLACEMENT HARDWARE Mfg., Inc.

500 West 84th Street ♦ Hialeah ♦ Florida 33014 ♦ USA
305-558-5051 ♦ Fax: 305-557-5239 ♦ Toll Free: 1-800-780-5051
www.rhmfg.com ♦ www.replacement-hardware.com

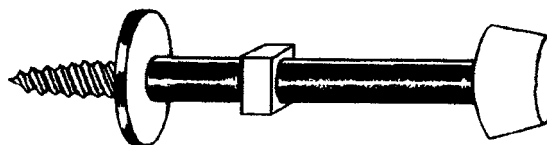
**#1
IN
SERVICE**

DOOR STOPS



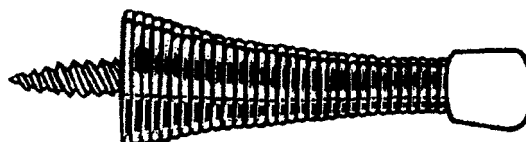
MDH 201
HINGE-PIN
DOOR STOP

- Adjustable Door Stops Can Be Set to Stop at Any Desired Angle
- Fits Pin of Any Average Door Hinge



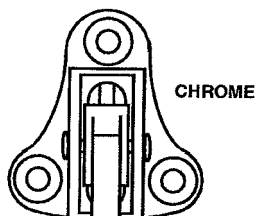
MDH 200
DOOR STOP

- Brass-Plated Finish
- Zinc Die-Cast, 1-Piece Construction
- 3 Inches Long
- Easy to Install with Self-Start Screw



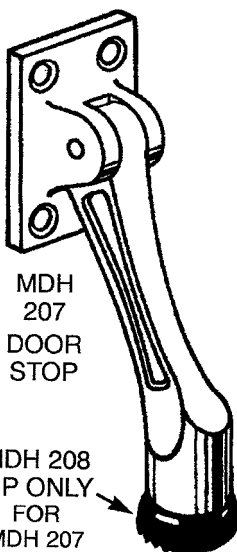
MDH 202
SPRING DOOR STOP

- Brass Finish with Plastic Bumper
- Separate Screw & Base Plate for Easy Installation
- Cone-Shaped Spring Design



CHROME

MDH
204
DROP
DOWN
DOOR
STOP



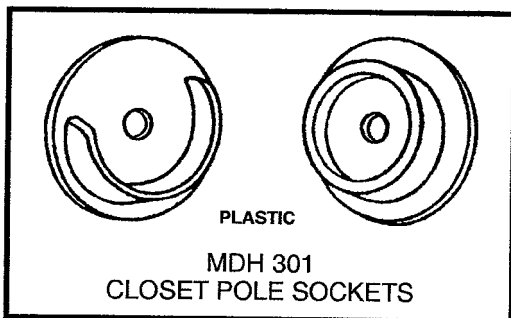
MDH
207
DOOR
STOP

MDH 208
TIP ONLY
FOR
MDH 207



MDH 203
SPRING DOOR STOP

- Flexible for Safe & Easy Cleaning
- 3 Inches Long
- Chrome-Plated Finish with Plastic Tip



PLASTIC

MDH 301
CLOSET POLE SOCKETS



MDH 205
DELUXE
FLOOR
BUMPER
STOP

- Heavy-Duty Cast Floor Bumper Stops
- Large 1 7/8" Diameter
- 3/16" Offset Stop
- Low Step for All Floor Surfaces
- Heavy Vinyl Cushion Door Protector
- Furnished with Screw & Anchor

IF IN DOUBT ON ANY PART -- SEND SAMPLE FOR IDENTIFICATION

**#1
IN
SERVICE**



REPLACEMENT HARDWARE Mfg., Inc.

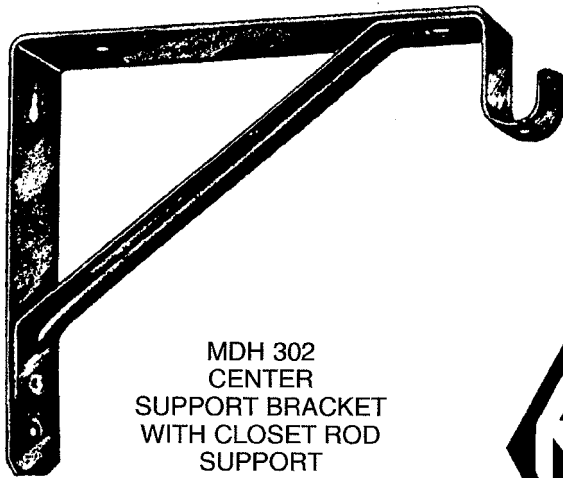
500 West 84th Street ♦ Hialeah ♦ Florida 33014 ♦ USA
305-558-5051 ♦ Fax: 305-557-5239 ♦ Toll Free: 1-800-780-5051
www.rhmfg.com ♦ www.replacement-hardware.com

911
SECTION I
REV. 3/03

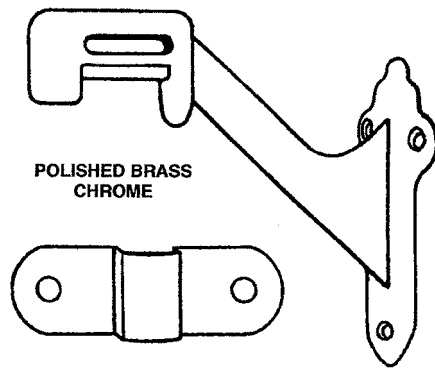
DOOR STOPS

SECURITY DOOR ACCESSORIES

SECURITY DOOR ACCESSORIES

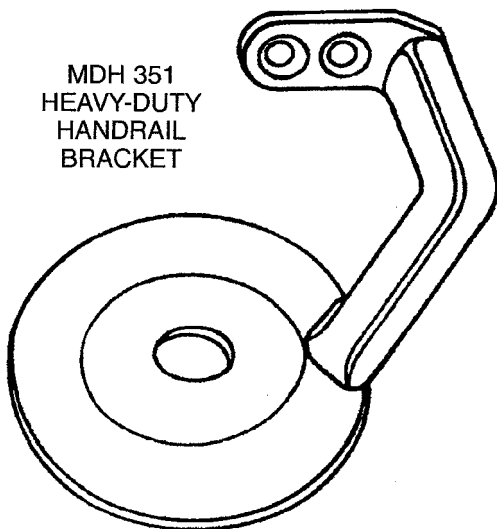


MDH 302
CENTER
SUPPORT BRACKET
WITH CLOSET ROD
SUPPORT

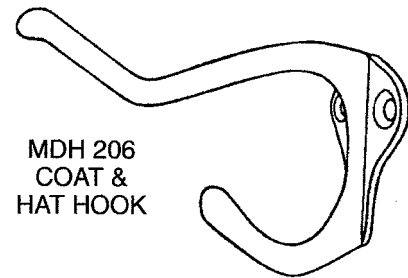


POLISHED BRASS
CHROME

MDH 350
HANDRAIL BRACKET



MDH 351
HEAVY-DUTY
HANDRAIL
BRACKET



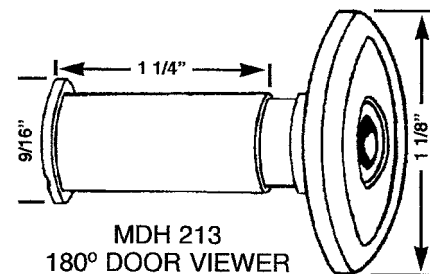
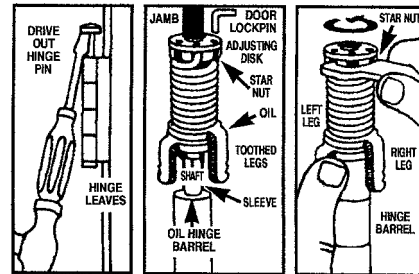
MDH 206
COAT &
HAT HOOK



MDH 211
160° DOOR VIEWER



MDH 214
AUTOMATIC
HINGE-PIN
DOOR
CLOSER



MDH 213
180° DOOR VIEWER

IF IN DOUBT ON ANY PART -- SEND SAMPLE FOR IDENTIFICATION.
WE ARE CONSTANTLY ADDING ADDITIONAL ITEMS TO SERVE YOU BETTER.

912
SECTION I
REV. 3/03



REPLACEMENT HARDWARE Mfg. Inc.

500 West 84th Street ♦ Hialeah ♦ Florida 33014 ♦ USA
305-558-5051 ♦ Fax: 305-557-5239 ♦ Toll Free: 1-800-780-5051
www.rhmfg.com ♦ www.replacement-hardware.com

**#1
IN
SERVICE**