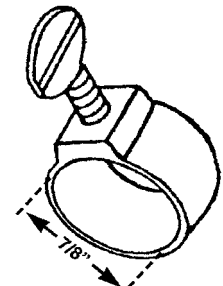


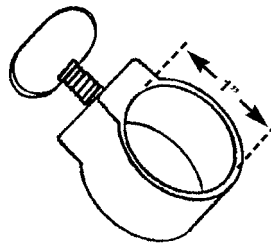
STORM SHUTTER HARDWARE



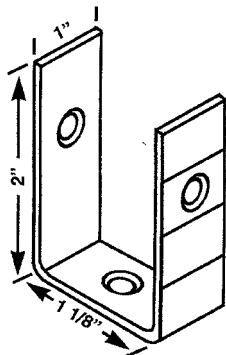
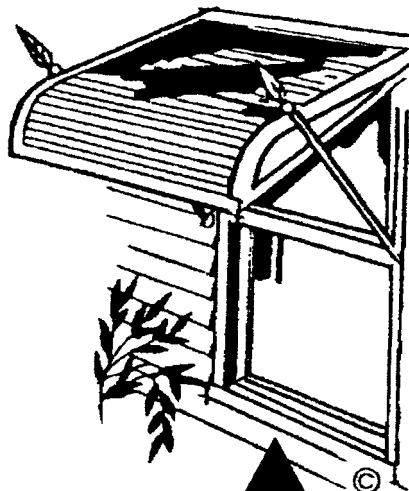
ASH 1
AWNING RING
W/THUMBSCREW



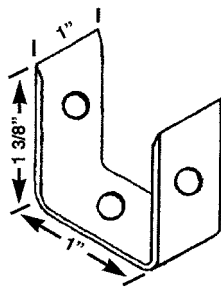
FAS 2
14-20 x 1/2"
THUMBSCREW



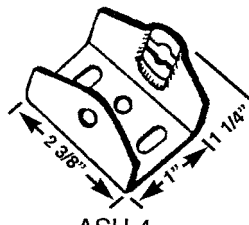
ASH 2
AWNING RING
W/THUMBSCREW



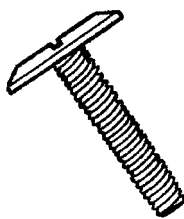
ASH 22
ATTACHING
BRACKET



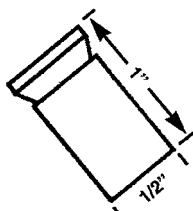
ASH 3
"U" BRACKET



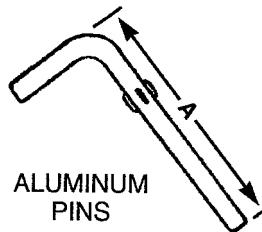
ASH 4
LARGE
CAMEL BRACKET



FAS 1
1/4-20 x 1"
SIDEWALK
BOLT

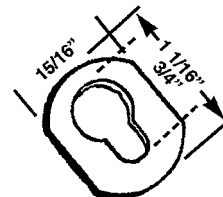


FAS 4
1/4-20 x 1"
ANCHOR

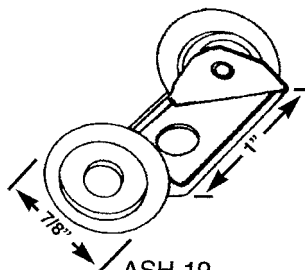


ALUMINUM
PINS

ASH 8 A
 2"
ASH 23 2 1/2"

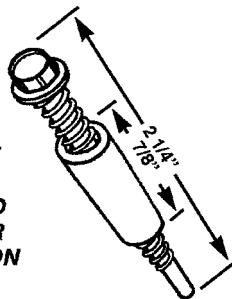


ASH 9
KEYHOLE
WASHERS



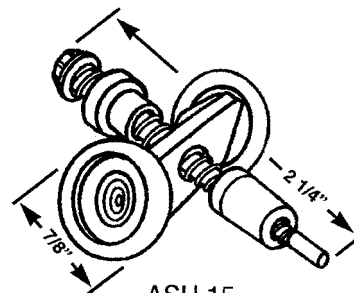
ASH 19
TANDEM ROLLER

IF IN DOUBT
ON ANY
PART - SEND
SAMPLE FOR
IDENTIFICATION



ASH 16
SHUTTER BOTTOM
GUIDE ASMB

WE ARE
CONSTANTLY
ADDING
ADDITIONAL
ITEMS TO
SERVE YOU
BETTER



ASH 15
SHUTTER
ROLLER ASMB



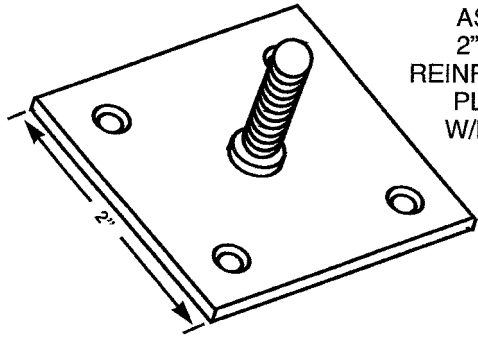
REPLACEMENT HARDWARE Mfg., Inc.

500 West 84 Street, Hialeah, FL 33014

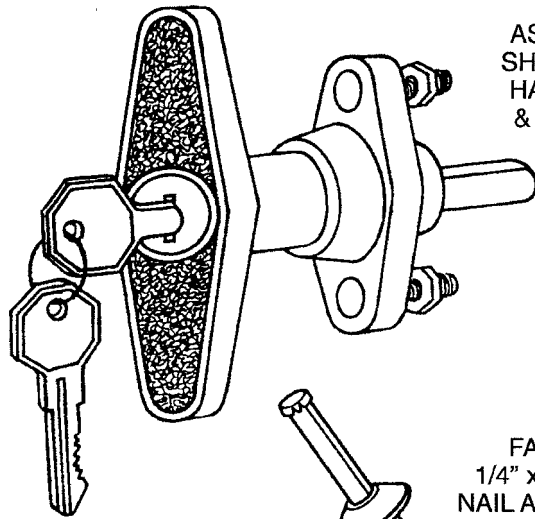
(305) 558-5051 • FAX 305-557-5239 • NATIONAL 800-780-5051

9C1
SECTION C
REV. 7/99

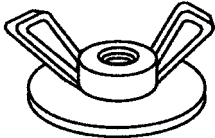
STORM SHUTTER HARDWARE



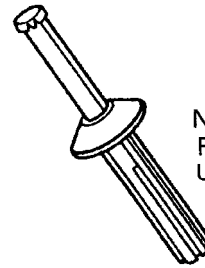
ASH 5
2" x 2"
REINFORCED
PLATE
W/BOLT



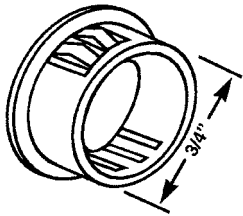
ASH 100
SHUTTER
HANDLE
& LOCK



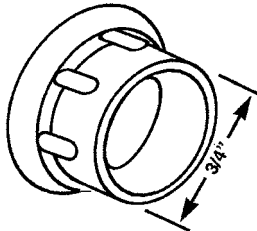
FAS 3
1/4-20 WASHER
WING NUT



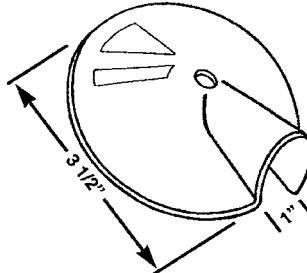
FAS 6
1/4" x 1 1/4"
NAIL ANCHOR
FOR ASH 100
USE 1/4" DRILL



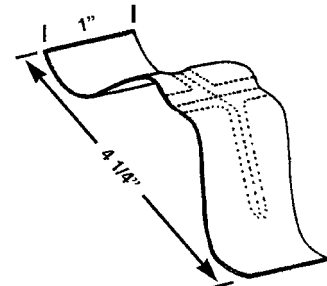
ASH 20
END CAP
FOR ARM



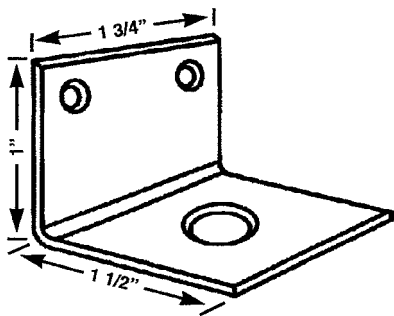
ASH 21
END CAP
FOR ARM



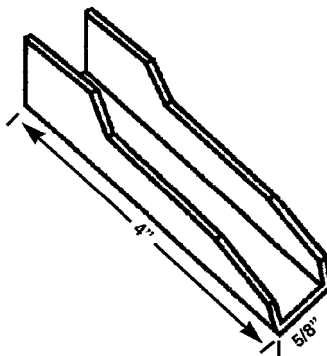
ASH 6
CONE



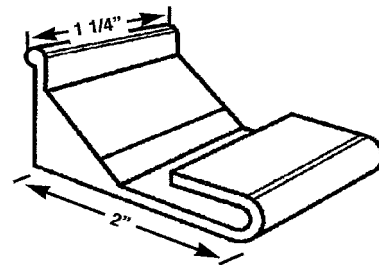
ASH 12
SS CLIP



ASH 10
TIE-DOWN BRACKET



ASH 13
SEAVIEW
WEDGE CLIP



ASH 14
SEAVIEW
NEW STYLE CLIP

9C2
SECTION C
REV. 7/99



REPLACEMENT HARDWARE Mfg. Inc.

500 West 84 Street, Hialeah, FL 33014

(305) 558-5051 • FAX 305-557-5239 • NATIONAL 800-780-5051