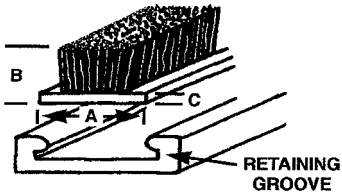


# WEATHERSEAL YOUR WINDOWS AND DOORS

STOP AIR INFILTRATION, WATER, DUST AND INSECTS!

## WOOLPILE WEATHERSTRIP



Minimum Order 100 Ft.

New Center Polypropylene Fin Eliminates Infiltration at Window & Door Joints.

Stops Rattles with Added Support of Pile Directors. Holds Pile Upright to Avoid Crushing.

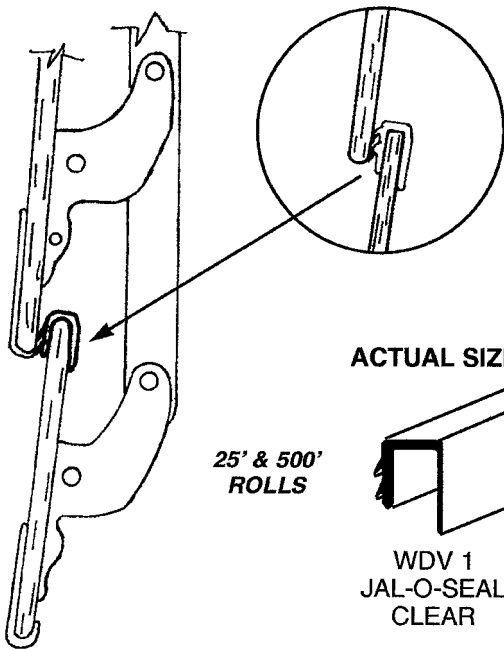
Rugged, Solid Polypropylene Base Ultrasonically Welded to Pile, Eliminates Shrinkage.

## WOOLPILE WITH FIN

	BASE	HEIGHT
WDW 29	.187	.180
WDW 30	.187	.200
WDW 31	.187	.240
WDW 32	.270	.180
WDW 33	.270	.200
WDW 34	.270	.240
WDW 26	.225	.250
WDW 35	.270	.180
WDW 41	.270	.190
WDW 43	.260	.200
WDW 44	.270	.460
WDW 45	.270	.170

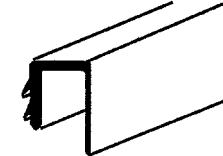
## WOOLPILE

WDW 42	.280	.140
WDW 48	.187	.150
WDW 49	.187	.330
WDW 50	.187	.200



ACTUAL SIZE

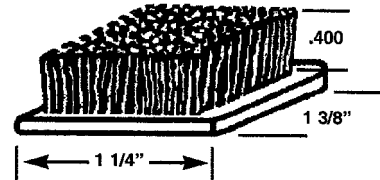
25' & 500' ROLLS



WDV 1  
JAL-O-SEAL  
CLEAR

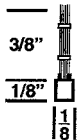


**WE'RE  
#1  
IN  
SERVICE**

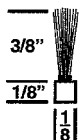


WDW 47  
WEATHERSEAL PAD

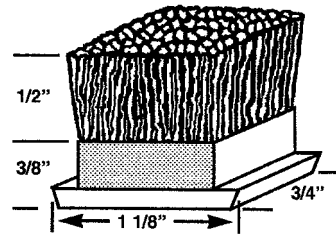
SEALS OUT THE DRAFTS USUALLY FOUND IN JALOUSIE-TYPE WINDOWS



WDW 25  
SKIRTING



WDW 38  
SKIRTING



WDW 51  
WEATHERSEAL PAD

WE ARE CONSTANTLY ADDING ADDITIONAL ITEMS IN ORDER TO SERVE YOU BETTER. IF IN DOUBT ON ANY PART -- SEND SAMPLE FOR IDENTIFICATION.

**#1  
IN  
SERVICE**



**REPLACEMENT HARDWARE Mfg., Inc.**

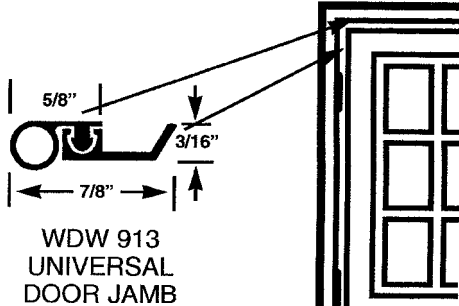
500 West 84th Street ♦ Hialeah ♦ Florida 33014 ♦ USA  
305-558-5051 ♦ Fax: 305-557-5239 ♦ Toll Free: 1-800-780-5051  
www.rhmfg.com ♦ www.replacement-hardware.com

9E4  
**SECTION E**  
REV. 11/02

WEATHERSEAL

**WEATHERSEAL**

**WEATHERSTRIPPING**

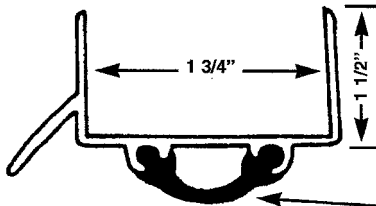


**WDW 913  
UNIVERSAL  
DOOR JAMB  
WEATHERSTRIP**  
1 - 36" FOR HEAD  
2 - 84" FOR JAMB

STANDARD 3'0" x 7'0"

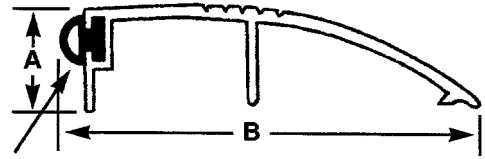
ALUMINUM  
BRONZE  
WHITE

**WDW 905  
BOTTOM  
SWEEP**



**WDW 907  
DOOR BOTTOM  
SHOE**  
WDV 54  
REPLACEMENT  
VINYL

**THRESHOLDS**



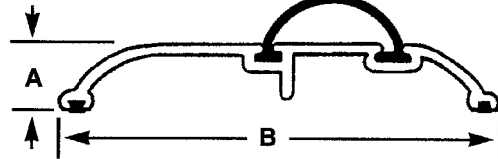
**WDV 53  
REPLACEMENT  
VINYL**

**SLOV TYPE BUMPER  
THRESHOLD FOR  
OUT-SWING DOORS**

	A	B
WDW 901	1"	3 1/4"
WDW 902	5/8"	3 3/8"

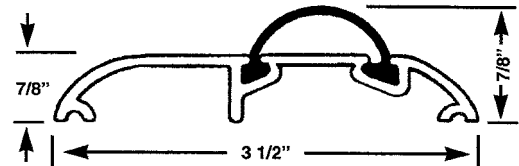
**IF IN DOUBT  
ON ANY  
PART SEND  
SAMPLE FOR  
IDENTIFICATION**

**WDV 39  
REPLACEMENT  
VINYL**

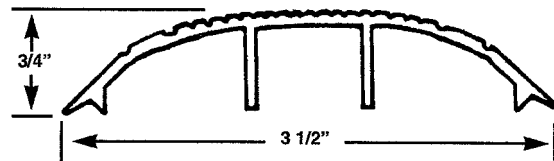


**VINYL INSERT THRESHOLD**

	A	B
WDW 903	1/2"	3 1/4"



**WDW 914  
HIGH-SADDLE THRESHOLD  
36"**



**WDW 908  
THRESHOLD  
USE WITH WDW 906 & 907**

**WEATHERSEAL**



**WE'RE  
#1  
IN  
SERVICE**

9E5  
**SECTION E**  
REV. 11/02



**REPLACEMENT HARDWARE Mfg. Inc.**

500 West 84th Street ♦ Hialeah ♦ Florida 33014 ♦ USA  
305-558-5051 ♦ Fax: 305-557-5239 ♦ Toll Free: 1-800-780-5051  
www.rhmfg.com ♦ www.replacement-hardware.com

**#1  
IN  
SERVICE**