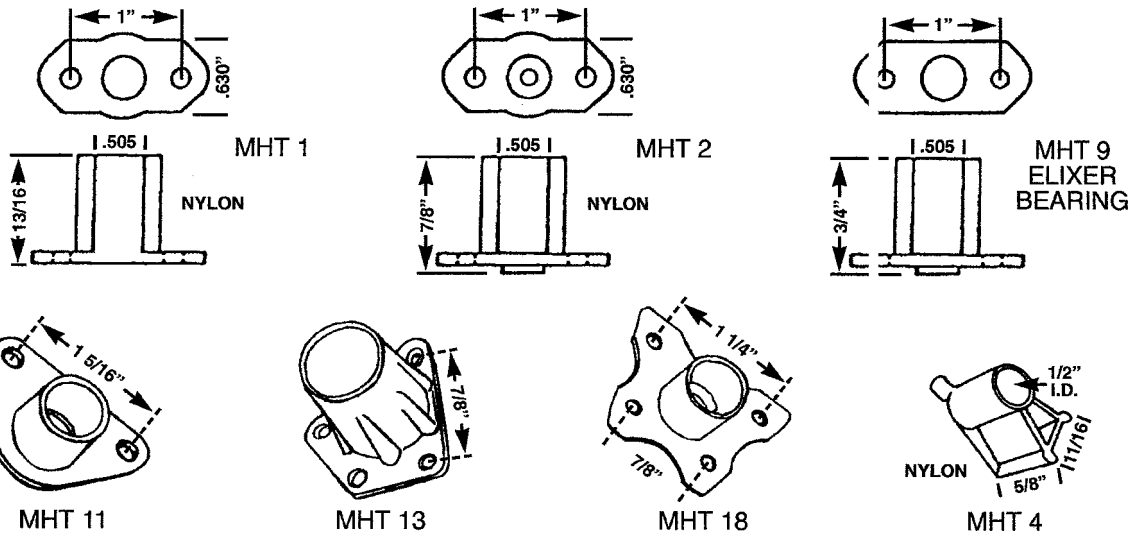
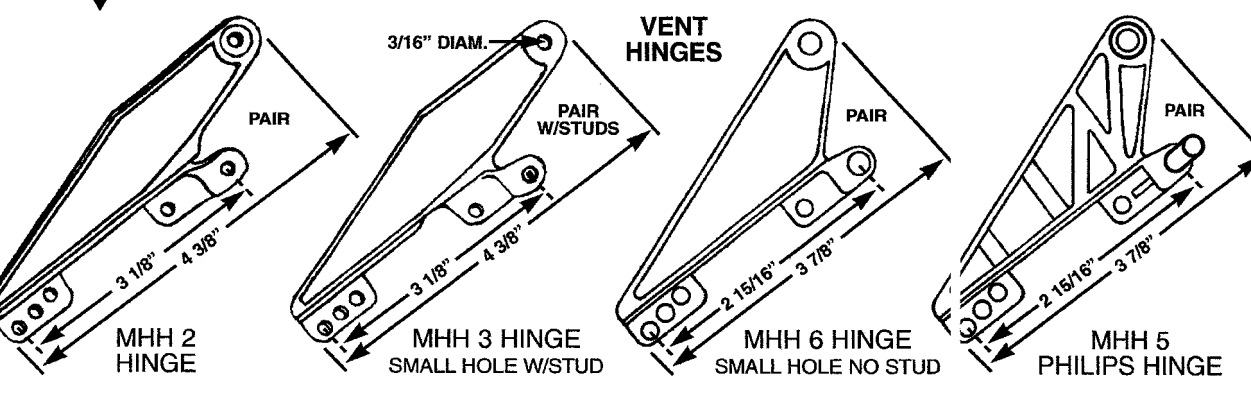
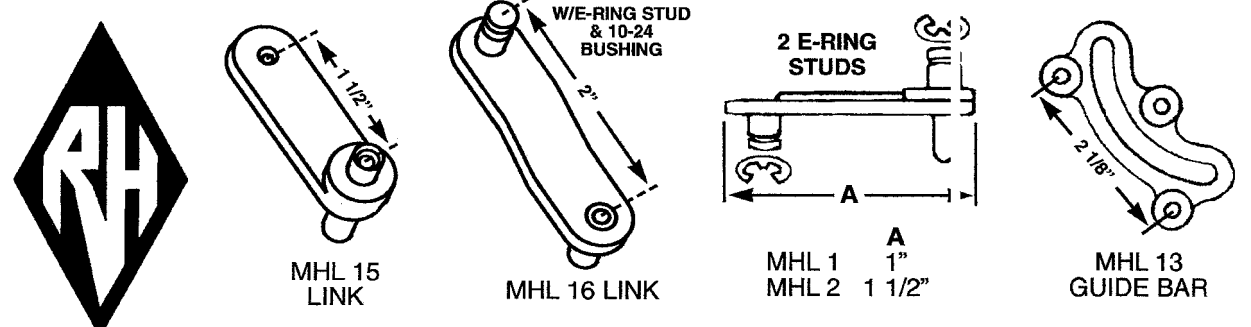
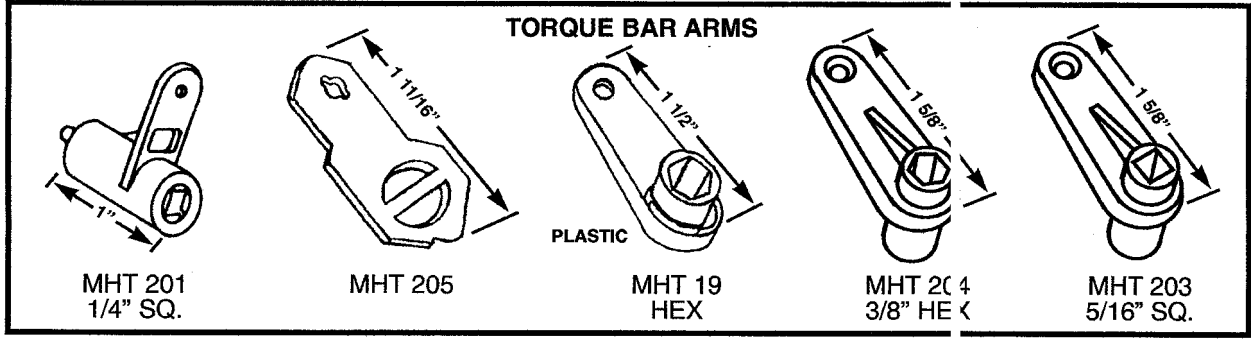


MOBILE HOME ACCESSORIES

TORQUE BAR BEARINGS



TORQUE BAR ARMS



8C1
SECTION C
REV. 4/99



REPLACEMENT HARDWARE Mfg, Inc.

500 West 84 Street, Hialeah, FL 33014

(305) 558-5051 • FAX 305-557-5239 • NATIONAL 800-730-5051