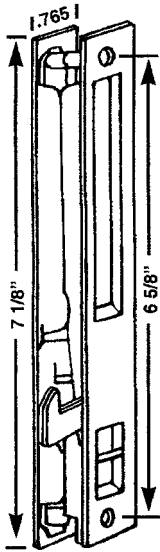


UNIVERSAL MORTISE-TYPE FLUSHMOUNT PATIO DOOR LOCKS

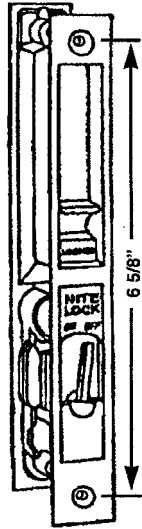
MOST POPULAR REPLACEMENT SETS USED BY MOST PATIO DOOR MANUFACTURERS



PDH 8
W/KEY

PDH 9
NO KEY

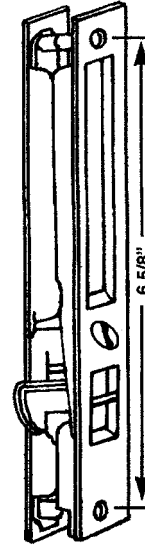
MORTISE



PDH 195
NO KEY

PDH 196
W/KEY

STANDARD
W/NITE
LOCK



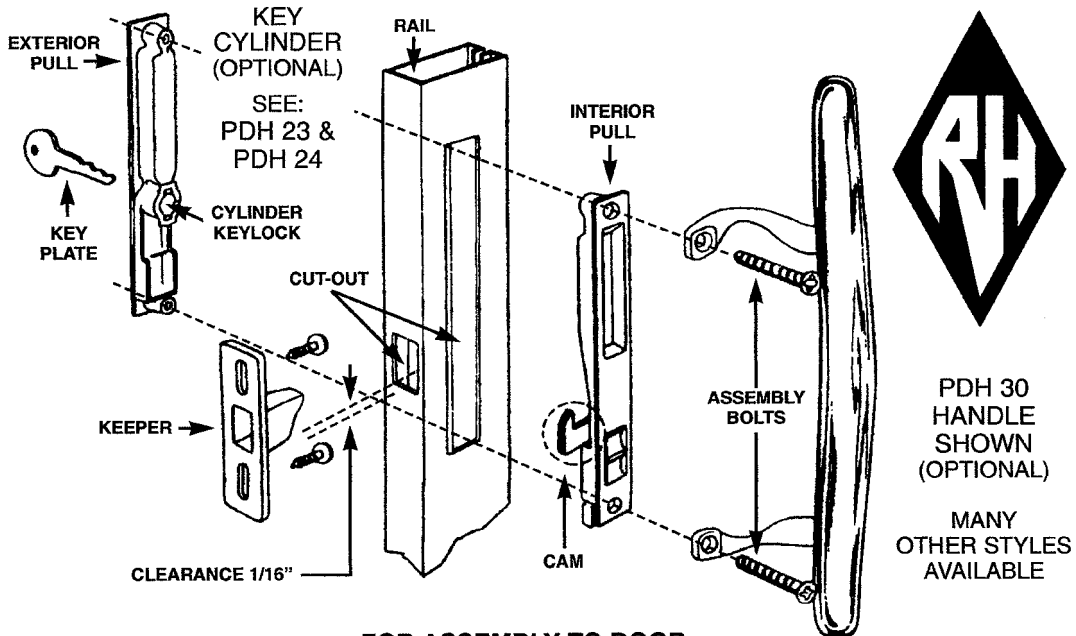
PDH 11
NO KEY

PDH 61
W/KEY

1400
SERIES
SECURITY
NIGHT
LATCH
W/ANTI
LIFT-OUT
DESIGN

SETS COMPLETE WITH KEEPER, ASSORTMENT OF CAMS & ASSEMBLY SCREWS.
AVAILABLE IN BLACK, WHITE OR CHROME.

TYPICAL FLUSHMOUNT PATIO DOOR ASSEMBLY



FOR ASSEMBLY TO DOOR:

1. Place interior pull in rail by rotating cam latch toward cut-out.
2. Place exterior pull in rail, then place handle pull on interior pull.
3. Secure entire assembly with two No. 10-32 machine screws.
4. Align keeper in jamb, allowing 1/16" clearance between bottom of keeper and cut-out.
5. Fasten securely with two sheet metal screws.



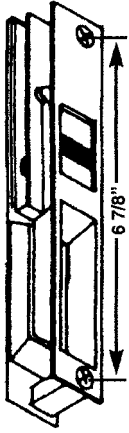
REPLACEMENT HARDWARE Mfg., Inc.

500 West 84 Street, Hialeah, FL 33014

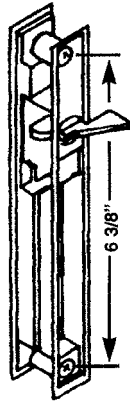
(305) 558-5051 • FAX 305-557-5239 • NATIONAL 800-780-5051

5A1
SECTION A
REV. 4/99

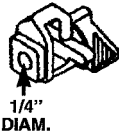
PATIO DOOR LOCKS



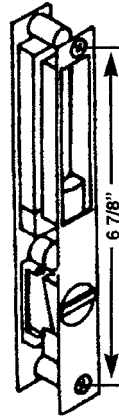
PDH 13
DARYL PM II
FLUSHMOUNT
W/KEY



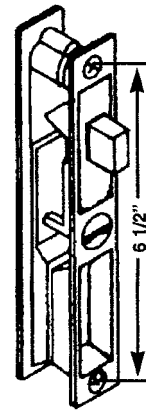
PDH 10
MILLER - W/KEY
PDH 41
NO KEY



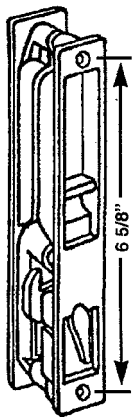
1/4"
DIAM.
PDH 47
MILLER
LATCH
ONLY



PDH 16
DARYL PR300
W/KEY
PDH 82 - NO KEY

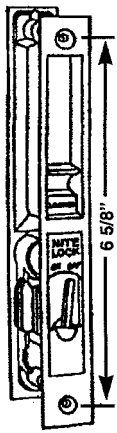


PDH 14
CROSSLY/AIRE-LOCK
W/KEY
PDH 44 - NO KEY



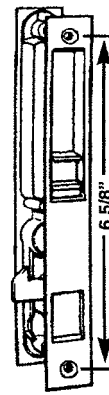
PDH 12
PATIO DOOR
LOCK

WHITE



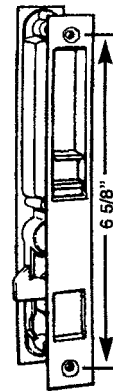
PDH 137
LOCK W/NITE
LATCH

CHROME
BLACK



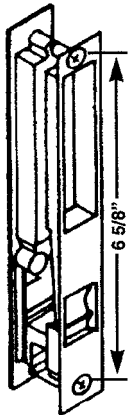
PDH 47
AMEROCK
LOCK

CHROME
BLACK



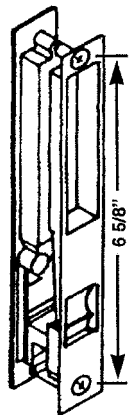
PDH 96
W/PDH 23 KEY CYL.
PDH 97
W/PDH 24 KEY CYL.

BLACK

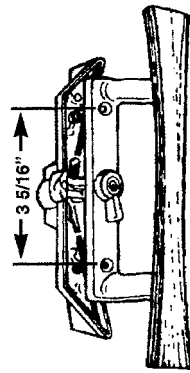


PDH 32
AIR CONTROL
NO KEY

P
CAM

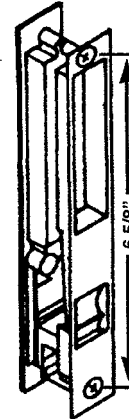


PDH 49
LUMIDOR



PDH 48 - NO KEY
PDH 7 - W/KEY
SURFACE MOUNT

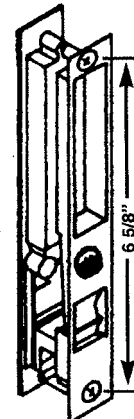
3 5/16"



PDH 56 - NO KEY
PDH 33 - W/KEY
LAWSON

6 5/8"

CHROME
BLACK

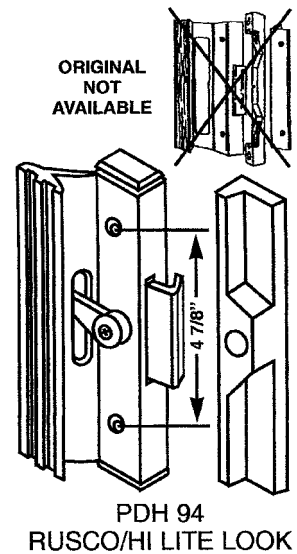
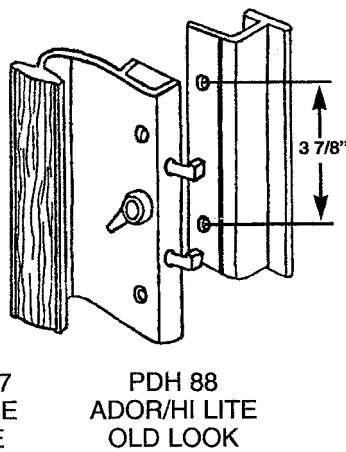
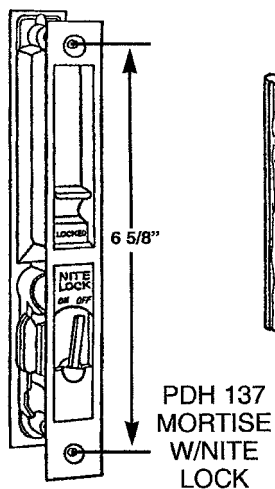
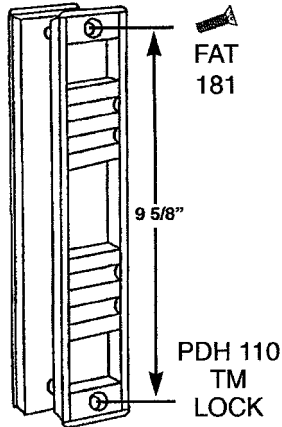
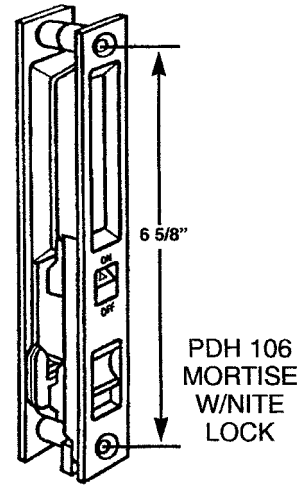
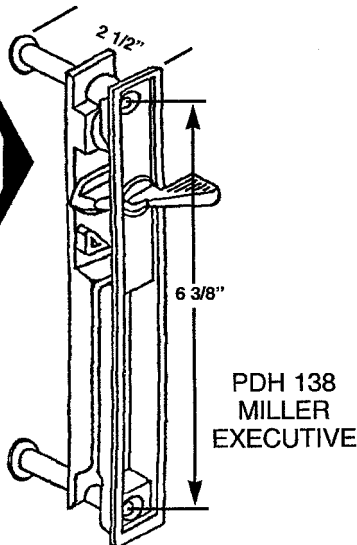
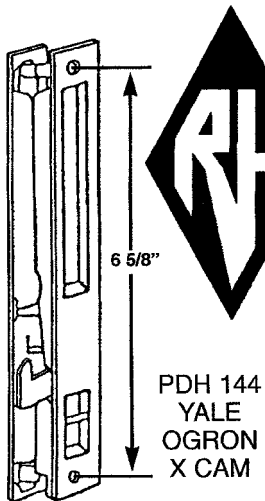
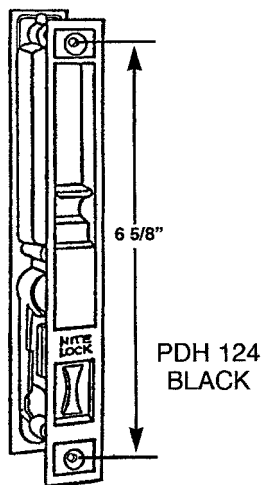
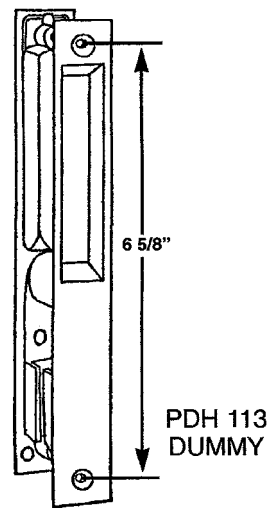
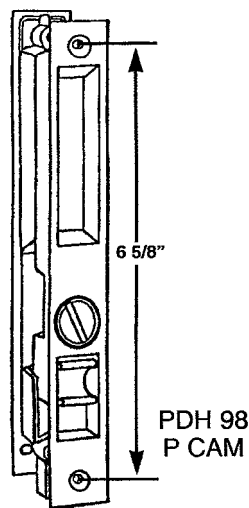
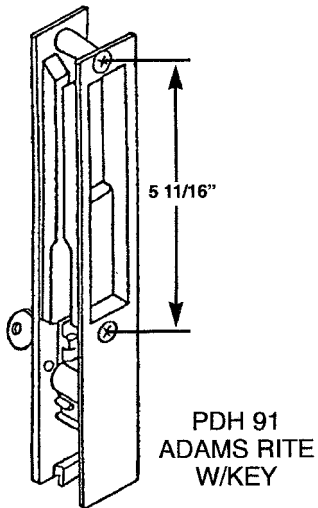
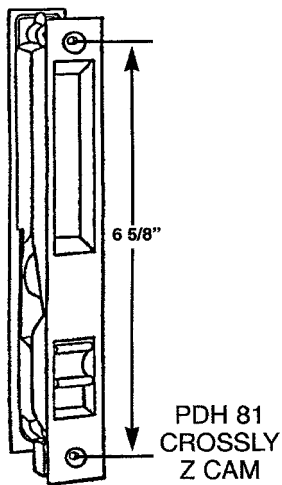


PDH 67 - NO KEY
PDH 68 - W/KEY
PAN AM

6 5/8"



PATIO DOOR LOCKS



IF IN DOUBT ON ANY PART -- SEND SAMPLE FOR IDENTIFICATION.
WE ARE CONSTANTLY ADDING ADDITIONAL ITEMS TO SERVE YOU BETTER.



REPLACEMENT HARDWARE Mfg., Inc.

500 West 84 Street, Hialeah, FL 33014

(305) 558-5051 • FAX 305-557-5239 • NATIONAL 800-780-5051

5A3
SECTION A
REV. 9/96