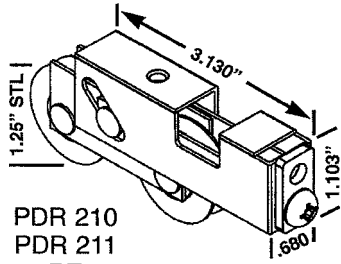
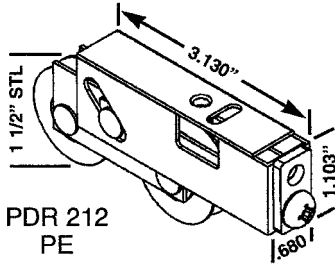


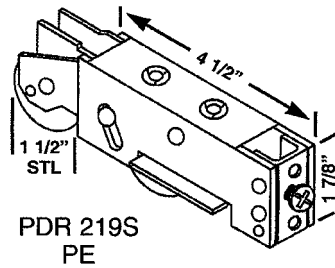
TANDEM ROLLER ASSEMBLIES



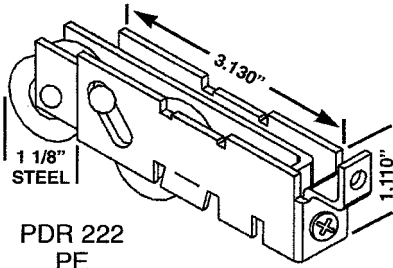
PDR 210
PDR 211
PE



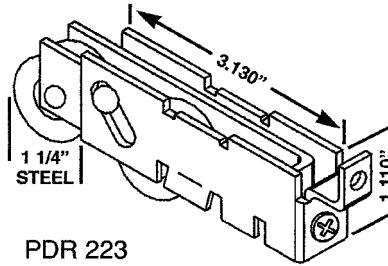
PDR 212
PE



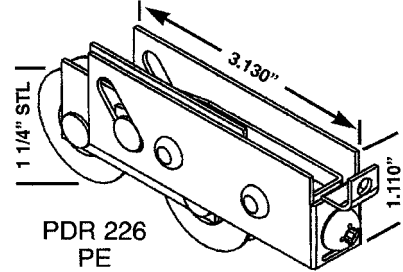
PDR 219S
PE



PDR 222
PE



PDR 223

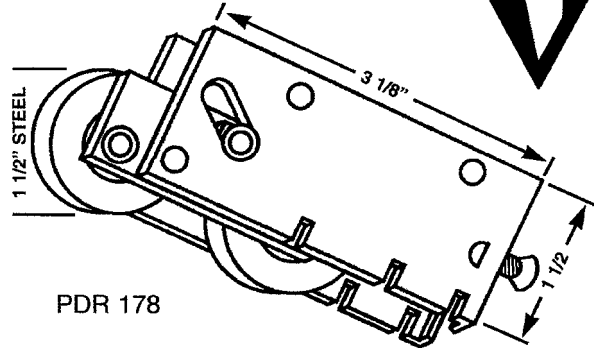


PDR 226
PE

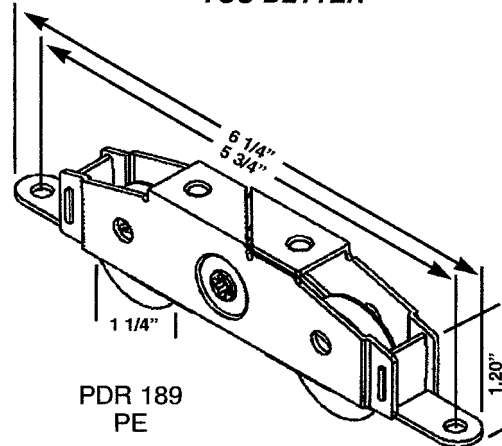
**IF IN DOUBT ON
ANY PART SEND
SAMPLE FOR
IDENTIFICATION**



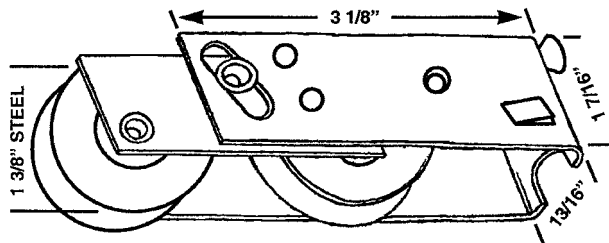
**WE ARE CONSTANTLY
ADDING ADDITIONAL
ITEMS TO SERVE
YOU BETTER**



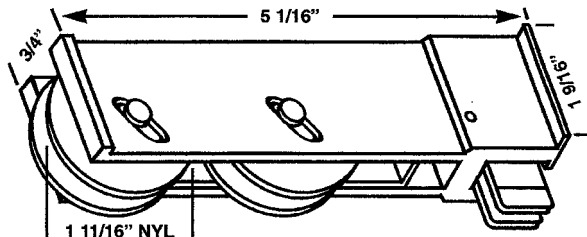
PDR 178



PDR 189
PE



PDR 207



PDR 213
ALCAN

TANDEM ROLLER ASSEMBLIES

**#1
IN
SERVICE**



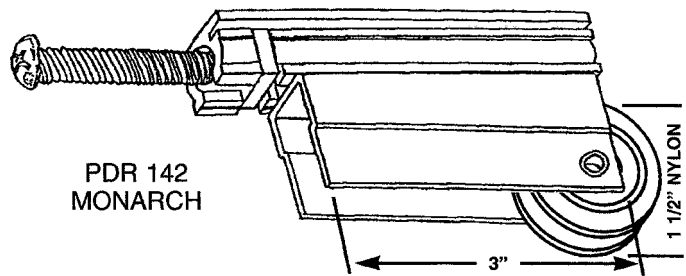
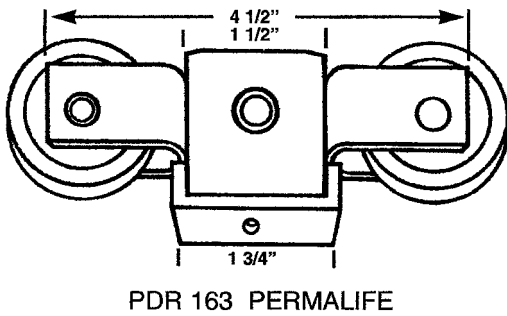
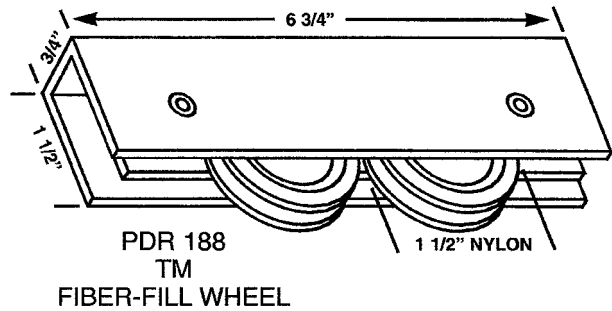
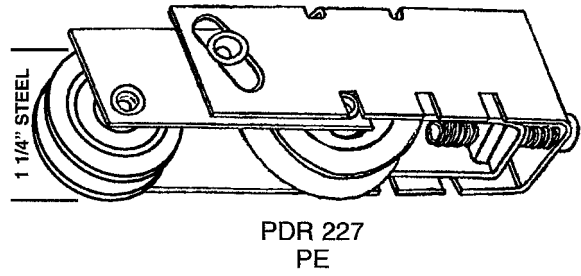
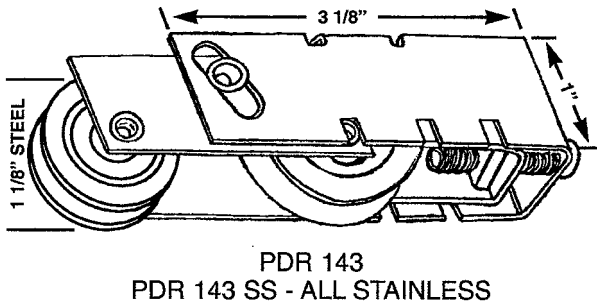
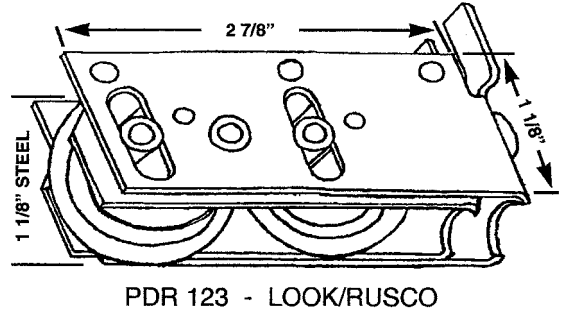
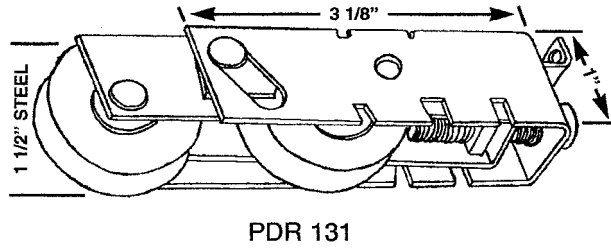
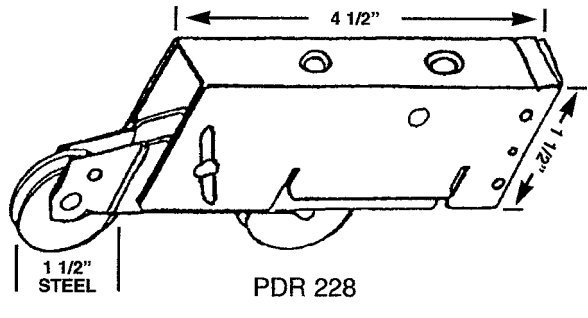
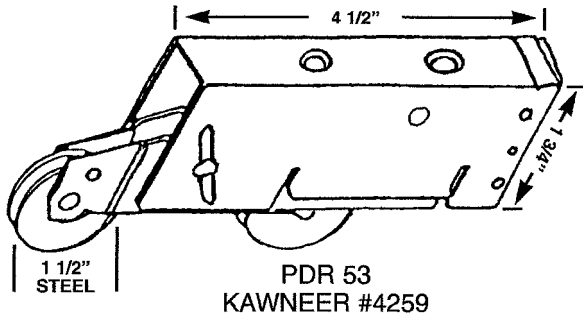
REPLACEMENT HARDWARE Mfg., Inc.

500 West 84th Street ♦ Hialeah ♦ Florida 33014 ♦ USA
305-558-5051 ♦ Fax: 305-557-5239 ♦ Toll Free: 1-800-780-5051
www.rhmfg.com ♦ www.replacement-hardware.com

5C9
SECTION C
REV. 2/03

TANDEM ROLLER ASSEMBLIES

TANDEM ROLLER ASSEMBLIES



5C10
SECTION C
NEW 2/03



REPLACEMENT HARDWARE Mfg. Inc.

500 West 84th Street ♦ Hialeah ♦ Florida 33014 ♦ USA
305-558-5051 ♦ Fax: 305-557-5239 ♦ Toll Free: 1-800-780-5051
www.rhmfg.com ♦ www.replacement-hardware.com

**#1
IN
SERVICE**