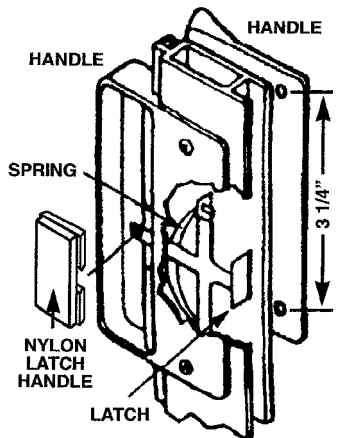
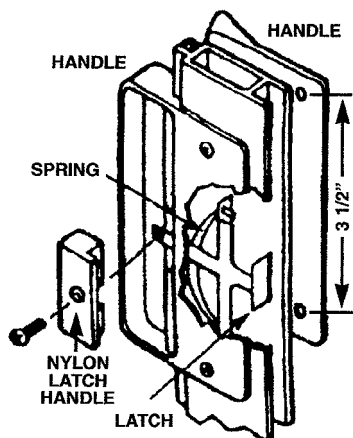


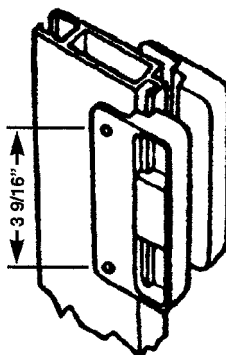
SLIDING SCREEN DOOR LATCHES



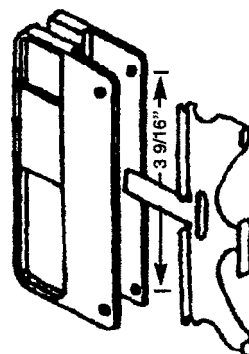
PSL 1  
UNIVERSAL LATCH



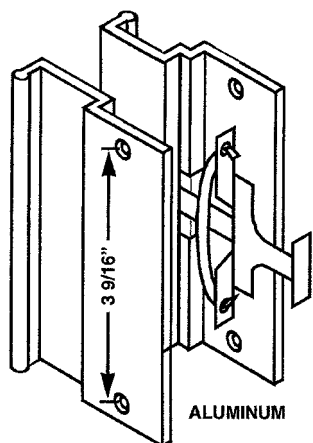
PSL 69  
UNIVERSAL LATCH



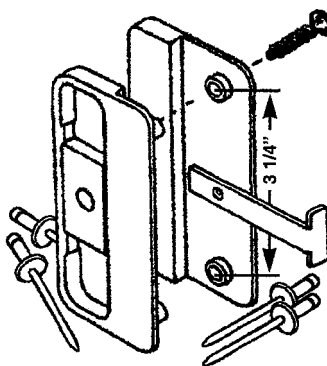
PSL 14  
WARREN  
STANDARD



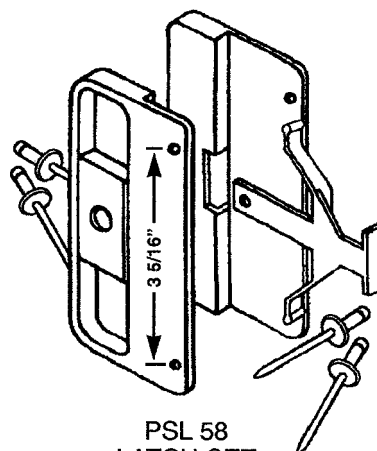
PSL 18  
WARREN  
TITAN



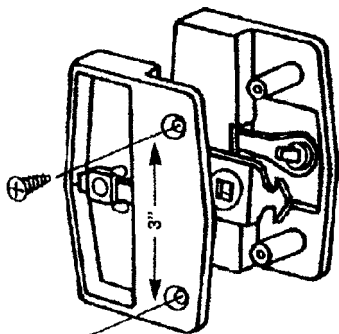
PSL 39  
LATCH SET



PSL 71  
UNIVERSAL  
LATCH



PSL 58  
LATCH SET  
AMBER



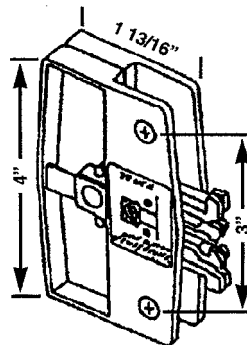
PSL 50  
SCREEN LATCH  
PSL 59  
COLUMBIA PTO



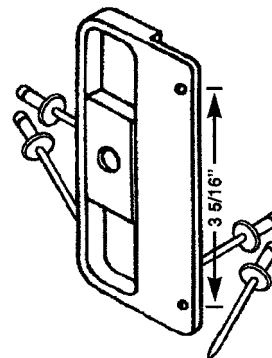
PSL 205BL BLACK  
PSL 205N WHITE  
SCREEN KEEPER



PSL 51  
INTERIOR LATCH  
FOR PSL 50 & 59



PSL 63  
"THE ANSWER"  
LATCH ASMB



PSL 57  
LATCH SET  
DELUXE

IF IN DOUBT ON ANY PART -- SEND SAMPLE FOR IDENTIFICATION

SLIDING SCREEN DOOR LATCHES

#1  
IN  
SERVICE



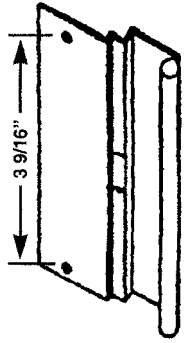
REPLACEMENT HARDWARE Mfg., Inc.

500 West 84th Street ♦ Hialeah ♦ Florida 33014 ♦ USA  
305-558-5051 ♦ Fax: 305-557-5239 ♦ Toll Free: 1-800-780-5051  
www.rhmfg.com ♦ www.replacement-hardware.com

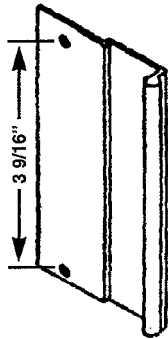
6B1  
SECTION B  
REV. 4/03

SLIDING SCREEN DOOR LATCHES

SLIDING SCREEN DOOR LATCHES



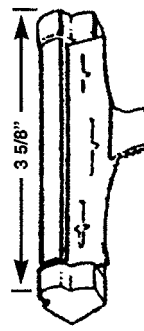
PSL 40  
ALUMINUM  
INTERIOR



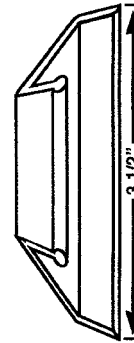
PSL 41  
ALUMINUM  
EXTERIOR



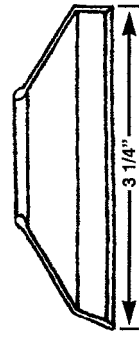
PSL 66  
TITAN NEW  
INTERIOR



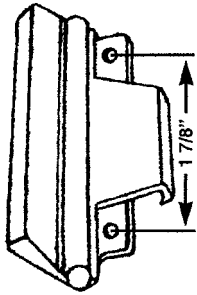
PSL 4  
HI LITE



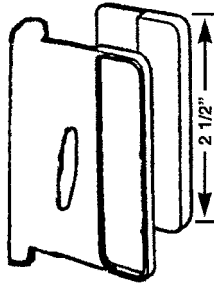
PSL 48  
DOOR  
PULL



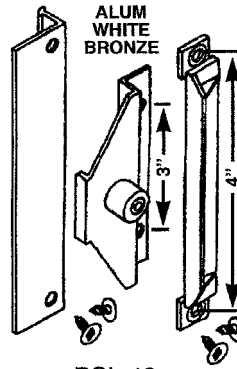
PSL 52  
PULL ONLY  
NO HOLES



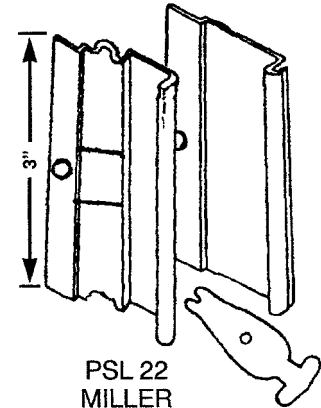
PSL 46  
LOOK  
NEW STYLE



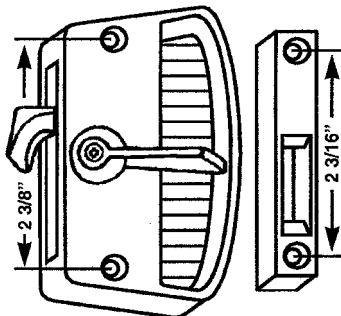
PSL 27  
PAN AM



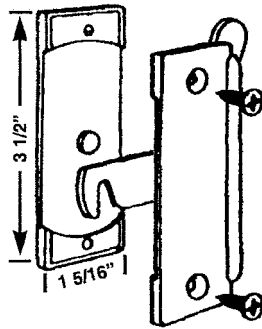
PSL 49  
BELLEVUE



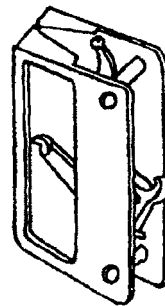
PSL 22  
MILLER



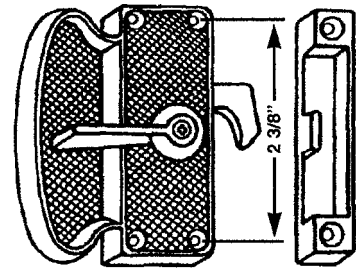
PSL 34  
SURFACE MOUNT  
LATCH



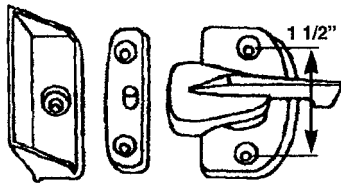
PSL 2  
AIR CONTROL  
KELLER  
DOOR PULL



PSL 9  
ANJAC  
LATCH



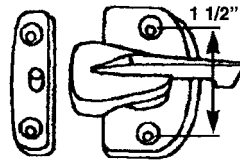
PSL 11  
SURFACE MOUNT  
LATCH



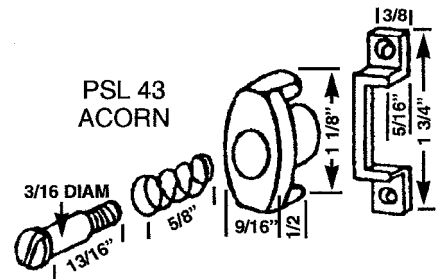
PSL 61  
HOWARD  
STANDARD



PSL 64  
HOWARD  
EXT. PULL



PSL 62  
HOWARD  
DELUXE



PSL 43  
ACORN

6B2  
SECTION B  
REV. 4/03



**REPLACEMENT HARDWARE Mfg., Inc.**

500 West 84th Street ♦ Hialeah ♦ Florida 33014 ♦ USA  
305-558-5051 ♦ Fax: 305-557-5239 ♦ Toll Free: 1-800-780-5051  
www.rhmf.com ♦ www.replacement-hardware.com

**#1  
IN  
SERVICE**