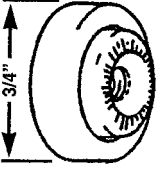
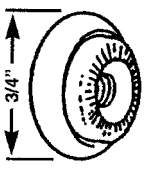

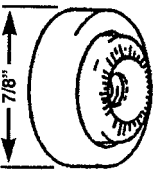
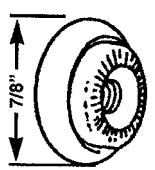
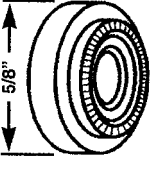
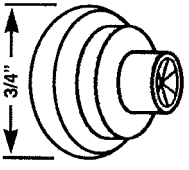
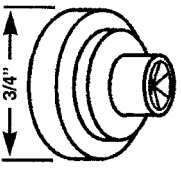
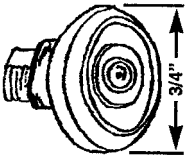


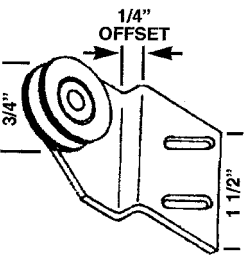
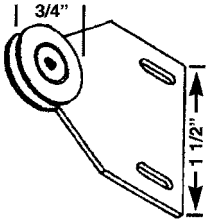
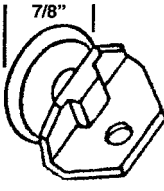
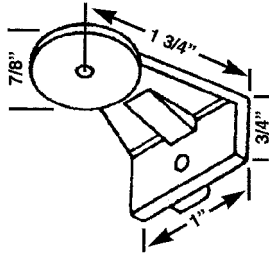
TUB AND SHOWER DOOR PARTS

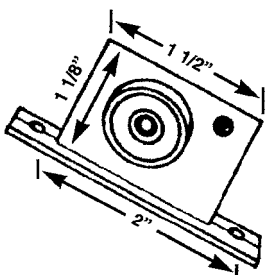
SHOWER DOOR ROLLERS

				
TER 2 3/4" FLAT	TER 3 3/4" OVAL	FAS 852 8-32 x 3/8 PAN HD	TER 4 7/8" FLAT	TER 6 7/8" OVAL

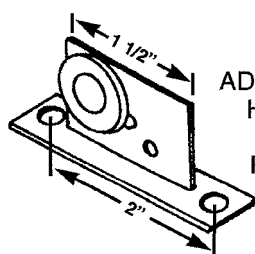
Ball bearing construction, nylon wheel. 1/4" thick; hub diameter is 7/16" & extends from back 1/8". Center hole 8-32 threaded.

			
TER 7 5/8" FLAT	TER 23 3/4" OVAL RIVET	TER 24 3/4" FLAT W/RIVET	TER 16 THREADED HUB

			
TER 11 ADJ. ROLLER ASMB	TER 12 ADJ. ROLLER ASMB	TER 20 "F" ROLLER	TER 21 "B" ROLLER



TER 8
ADJUSTABLE
TUB ENCL.
HANGER
W/ROLLER



TER 10
ADJUSTABLE
HANGER
OVAL
ROLLER

Ball bearing construction, nylon wheel. 3/4" diameter; 1/4" thick; 7/16" hub. Center hole 8-32 thread. Bracket height adjustment up to 1/4". Bracket mounting hole 2" on ctr.

LUMIDOR SHOWER DOOR

IF IN DOUBT ON ANY PART -- SEND SAMPLE FOR IDENTIFICATION.
WE ARE CONSTANTLY ADDING ADDITIONAL ITEMS TO SERVE YOU BETTER.

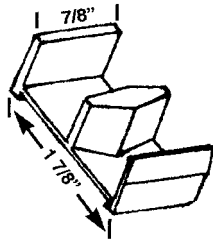


REPLACEMENT HARDWARE Mfg., Inc.

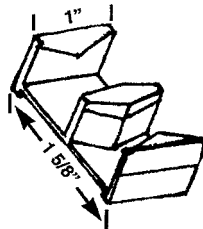
500 West 84 Street, Hialeah, FL 33014
(305) 558-5051 • FAX 305-557-5239 • NATIONAL 800-780-5051

7E1
SECTION E
REV. 2/98

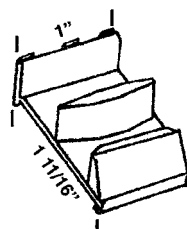
TUB AND SHOWER DOOR PARTS



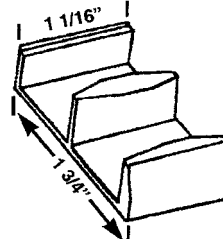
TEG 2
MILLER GUIDE



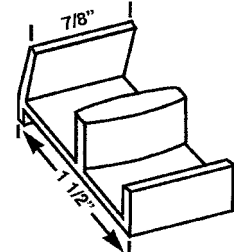
TEG 9
GUIDE



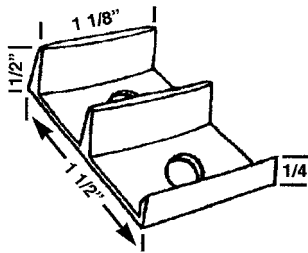
TEG 16
SHOWER
DOOR GUIDE



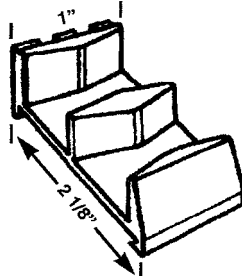
TEG 17
TRACK
GUIDE



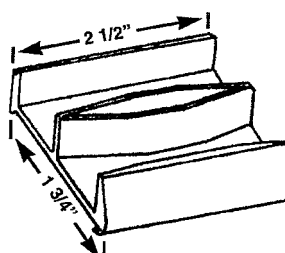
TEG 3
MILLER
GUIDE



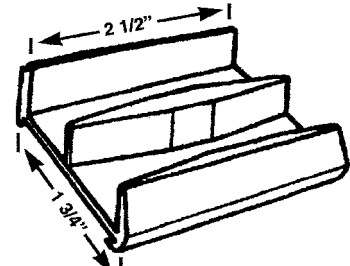
TEG 19
TM GUIDE
OLD



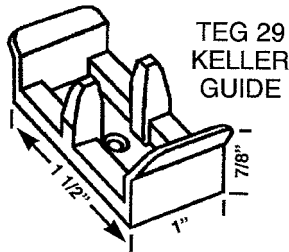
TEG 26
HARCAR
TUB GUIDE



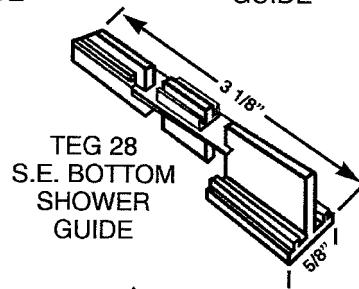
TEG 18
SHOWER
GUIDE



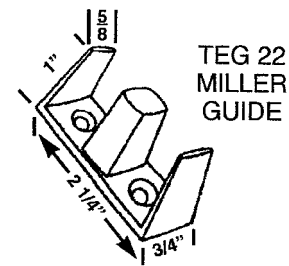
TEG 27
CLEAN TRACK
GUIDE



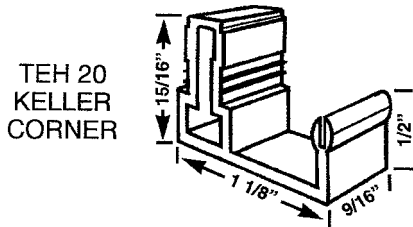
TEG 29
KELLER
GUIDE



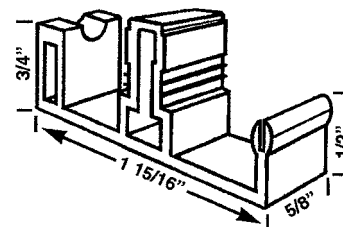
TEG 28
S.E. BOTTOM
SHOWER
GUIDE



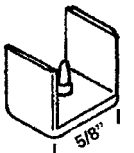
TEG 22
MILLER
GUIDE



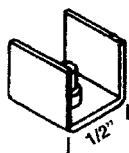
TEH 20
KELLER
CORNER



TEH 22
KELLER
CORNER



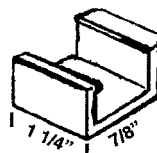
TEG 4
TUB ENCL.
GUIDE



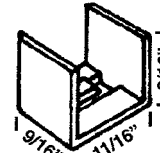
TEG 7
NARROW
GUIDE



TEG 10
GUIDE



TEG 11
KELLER
GUIDE



TEG 21
GUIDE



TEH 13
CATCH

IF IN DOUBT ON ANY PART -- SEND SAMPLE FOR IDENTIFICATION.
WE ARE CONSTANTLY ADDING ADDITIONAL ITEMS TO SERVE YOU BETTER.

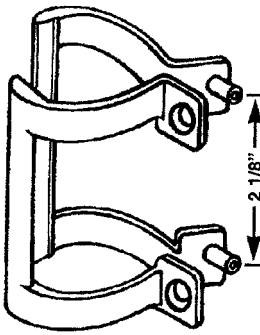
7E2
SECTION E
REV. 2/98



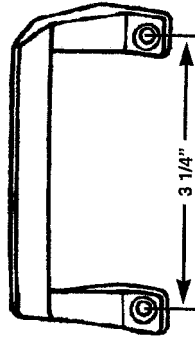
REPLACEMENT HARDWARE Mfg., Inc.

500 West 84 Street, Hialeah, FL 33014
(305) 558-5051 • FAX 305-557-5239 • NATIONAL 800-780-5051

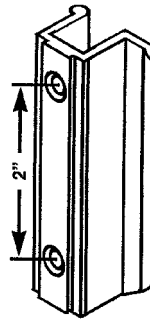
TUB AND SHOWER DOOR PARTS



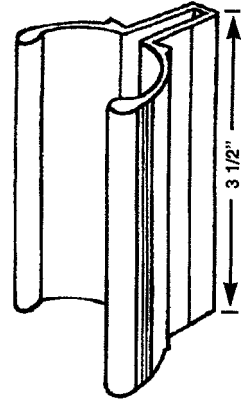
TEH 10R
HANDLE



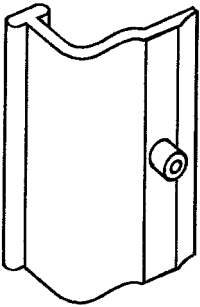
TEH 15
SHOWER DOOR
HANDLE



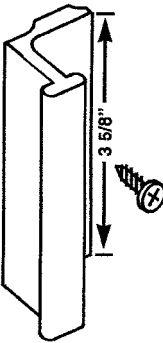
TEH 9
ETRUDED
PULL
HANDLE



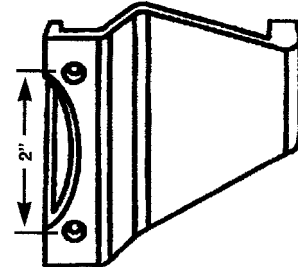
TEH 11
BRACKET



TEH 14
NEW "F" HANDLE

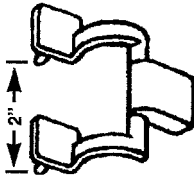


TEH 5
MILLER HANDLE
NOT
AVAILABLE

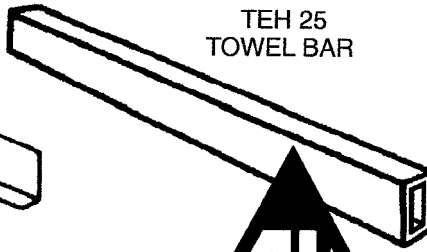


TEH 19
TOWEL BARBRACKETS

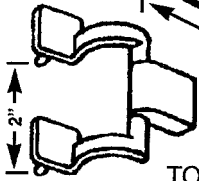
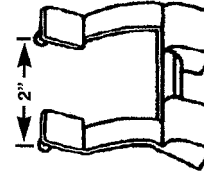
TEH 24
SINGLE
TOWEL BAR
BRACKET



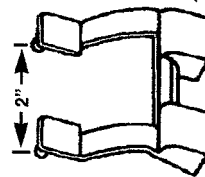
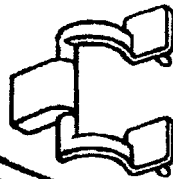
TEH 25
TOWEL BAR



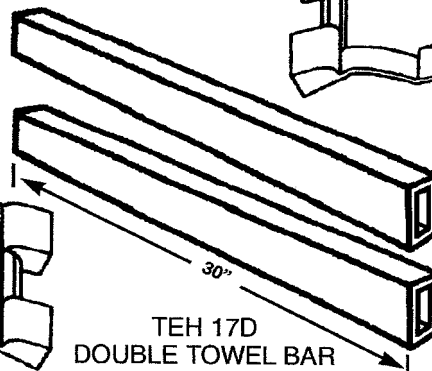
TEH 23
DOUBLE
TOWEL BAR
BRACKET



TEH 17
TOWEL BAR ASSEMBLY



TEH 17D
DOUBLE TOWEL BAR
ASSEMBLY

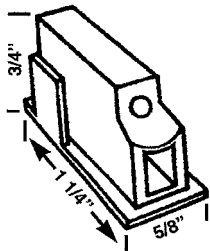


REPLACEMENT HARDWARE Mfg., Inc.

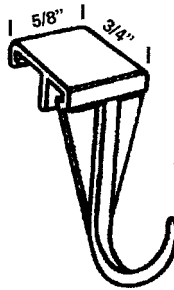
500 West 84 Street, Hialeah, FL 33014
(305) 558-5051 • FAX 305-557-5239 • NATIONAL 800-780-5051

7E3
SECTION E
REV. 4/99

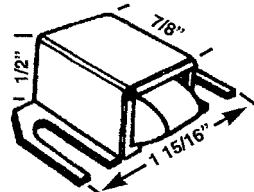
TUB AND SHOWER DOOR PARTS



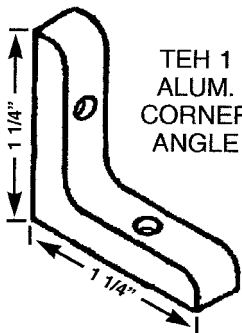
TEH 12
MILLER
NOB SERIES



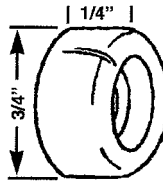
TEH 18
MILLER
HANGER
HOOKS



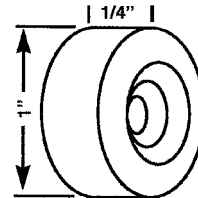
TEH 3
SHOWER DOOR
LATCH



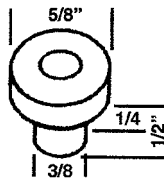
TEH 1
ALUM.
CORNER
ANGLE



PDB 5
VINYL
BUMPER



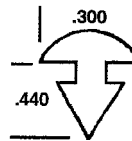
PDB 2
SMALL
BUMPER



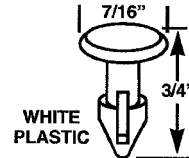
TEH 16
PIVOT
POST
BUSHING



TEH 13
CATCH

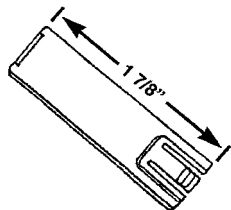


PDB 13
SOFT SNAP
BUMPER

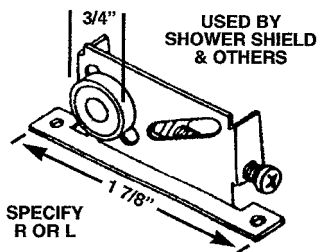


PDB 12
SNAP
BUTTON

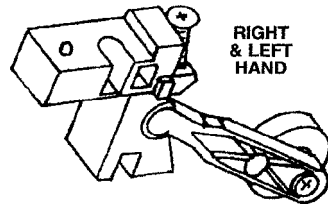
MIRROR CLOSET DOORS



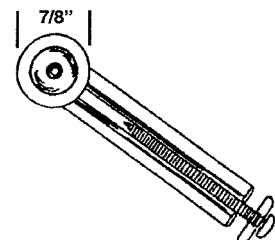
CDM 2
GUIDE



CDM 1
MIRROR DOOR
ROLLERS



CDM 3
MILLER
ASMB



CDM 5
TOP ASMB

IF IN DOUBT ON ANY PART -- SEND SAMPLE FOR IDENTIFICATION.
WE ARE CONSTANTLY ADDING ADDITIONAL ITEMS TO SERVE YOU BETTER.

